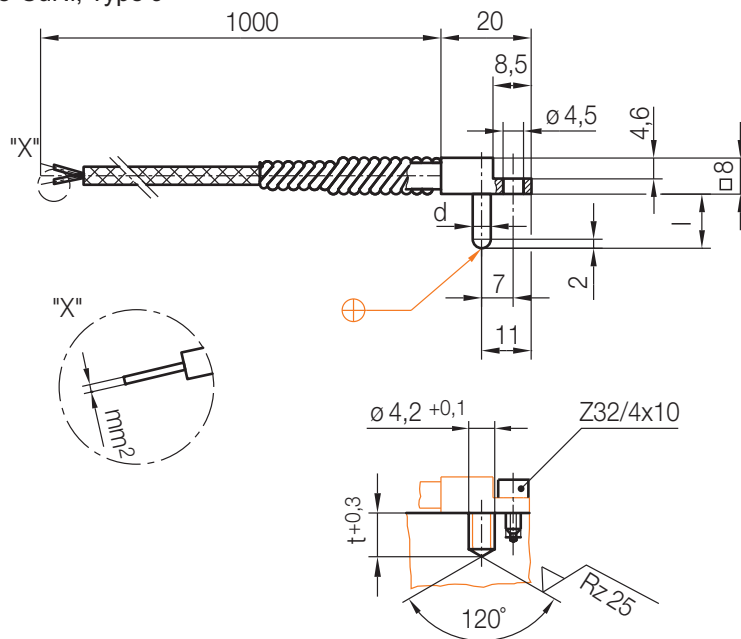


Z 1295/1/...

Thermofühler
Thermocouple
Thermocouple

◁⁺ = Fe-CuNi, Type J

max. °C: 400



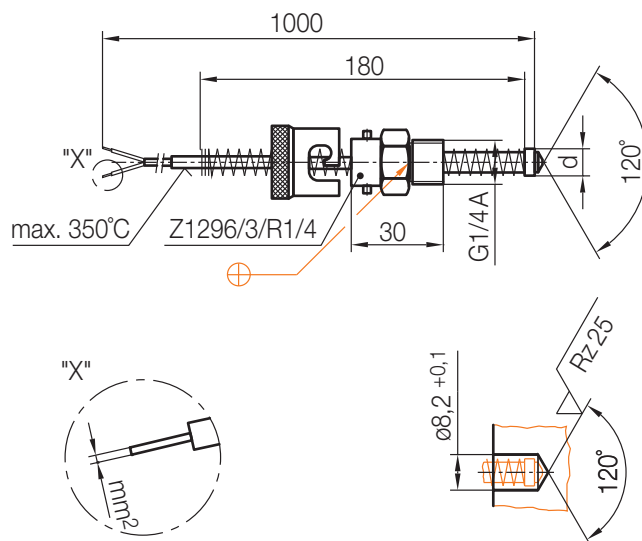
mm ²	t	Typ	d	l	Nr./No.
0,22	11,5	1	4	12	Z 1295/1/4x12
	19,5			20	20
	24,5			25	25

Z 1295/3/...

Thermofühler
Thermocouple
Thermocouple

◁⁺ = Fe-CuNi, Type J

max. °C: 400



6

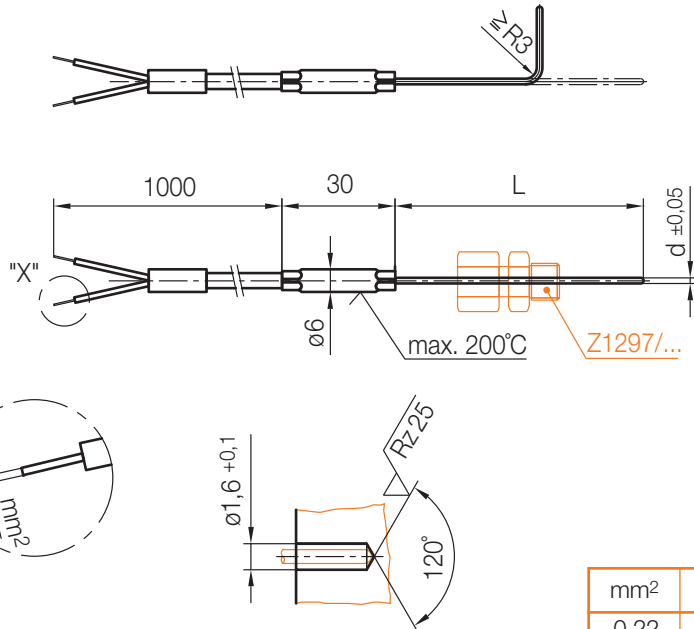
mm ²	Typ	d	Nr./No.
0,22	3	8	Z 1295/3/8

Z 1295/5/...

Thermofühler
Thermocouple
Thermocouple

⎯⁺ = Fe-CuNi, Type J

max. °C: 400

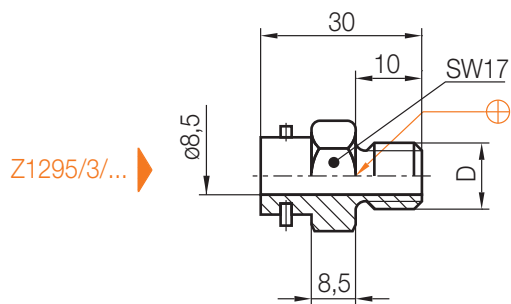


mm ²	Typ	d	L	Nr./No.
0,22	5	1,5	71	Z1295/5/1,5x 71
			100	100

Z 1296/...

Montagenippel
Coupling nipple
Nipple de montage

Mat.: 2.0321



Typ	D	Nr./No.
3	G1/4A	Z1296/3/R1/4