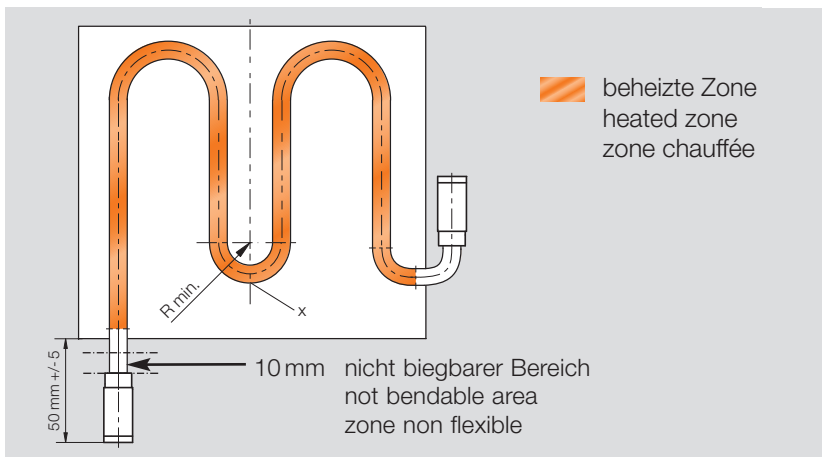
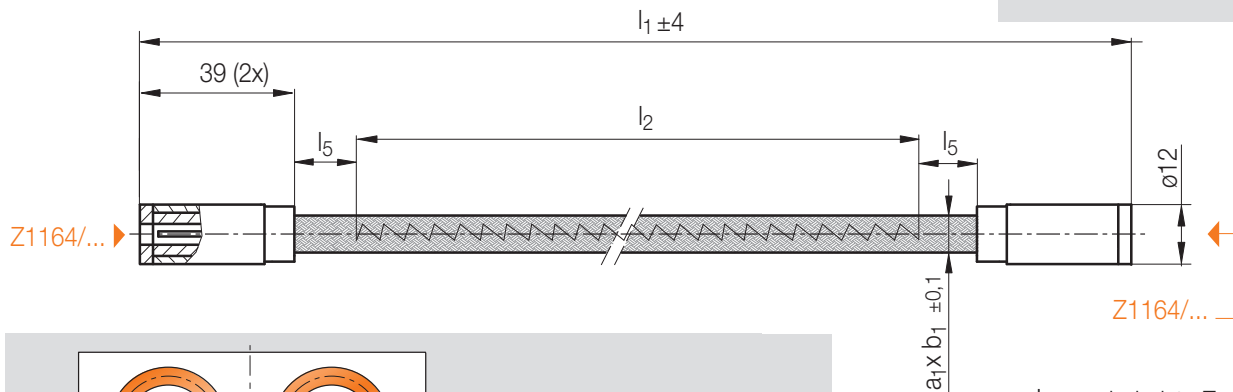


Z11381/...

Rohrheizkörper, feuchtedicht und hochtemperaturbeständig  
 Tubular heating element, moisture-proof and high-temperature resistant  
 Élément chauffant tubulaire, étanche et hautes températures



$l_2$  = beheizte Zone  
 heated zone  
 zone chauffée

$l_2, l_5$  = biegbare Zonen  
 bendable zones  
 zones pliables

Zwischenlängen auf Anfrage  
 Intermediate lengths available on request  
 Longueurs intermédiaires sur demande

| Volt | Watt | $l_5$ | $l_2$ | $a_1$ | $b_1$ | $l_1$ | Nr./No.         |
|------|------|-------|-------|-------|-------|-------|-----------------|
| 115  | 350  | 18    | 186   | 6     | 6     | 300   | Z11381/6x6x 300 |
|      | 400  |       | 236   |       |       | 350   | 350             |
|      | 450  |       | 261   |       |       | 375   | 375             |
|      | 500  |       | 286   |       |       | 400   | 400             |
|      | 600  |       | 311   |       |       | 425   | 425             |
| 230  | 700  | 336   | 450   | 450   |       |       |                 |
|      |      | 361   | 475   | 475   |       |       |                 |
|      | 800  | 386   | 500   | 500   |       |       |                 |
|      | 850  | 411   | 525   | 525   |       |       |                 |
|      | 900  | 436   | 550   | 550   |       |       |                 |
|      | 950  | 461   | 575   | 575   |       |       |                 |
|      | 1000 | 486   | 600   | 600   |       |       |                 |
|      | 1050 | 511   | 625   | 625   |       |       |                 |
|      | 1100 | 536   | 650   | 650   |       |       |                 |
|      | 1150 | 561   | 675   | 675   |       |       |                 |
|      | 1200 | 586   | 700   | 700   |       |       |                 |
|      | 1250 | 611   | 725   | 725   |       |       |                 |
|      | 1300 | 636   | 750   | 750   |       |       |                 |
|      | 1350 | 661   | 775   | 775   |       |       |                 |
|      | 1400 | 686   | 800   | 800   |       |       |                 |
|      | 1400 | 711   | 825   | 825   |       |       |                 |
|      | 1425 | 736   | 850   | 850   |       |       |                 |
|      | 1470 | 761   | 875   | 875   |       |       |                 |
|      | 1475 | 786   | 900   | 900   |       |       |                 |

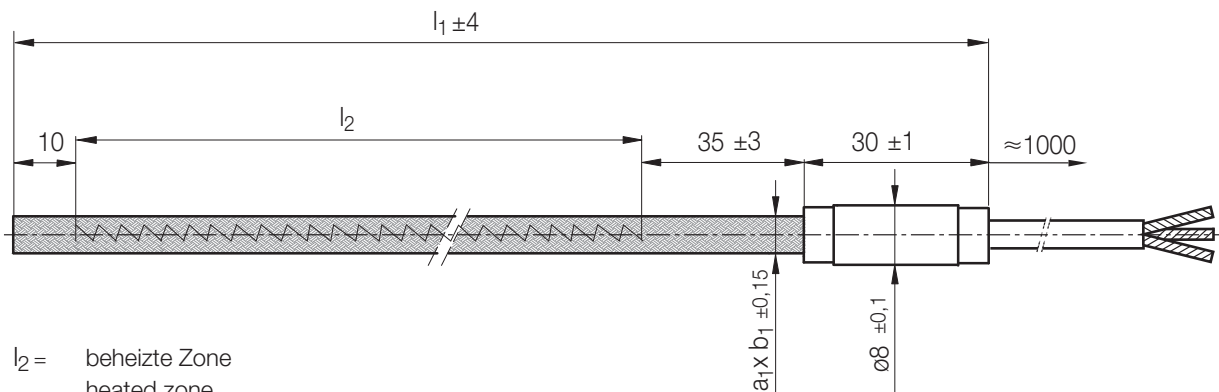
| Volt | Watt | $l_5$ | $l_2$ | $a_1$ | $b_1$ | $l_1$ | Nr./No.         |     |                 |
|------|------|-------|-------|-------|-------|-------|-----------------|-----|-----------------|
| 230  | 1525 | 18    | 836   | 6     | 6     | 950   | Z11381/6x6x 950 |     |                 |
|      | 1600 |       | 886   |       |       | 1000  | 1000            |     |                 |
|      | 1625 |       | 936   |       |       | 1050  | 1050            |     |                 |
|      | 1675 |       | 986   |       |       | 1100  | 1100            |     |                 |
|      | 750  |       | 336   |       |       | 8     | 8               | 450 | Z11381/8x8x 450 |
|      | 850  |       | 386   |       |       |       |                 | 500 | 500             |
|      | 1000 |       | 436   |       |       |       |                 | 550 | 550             |
|      | 1100 |       | 486   |       |       |       |                 | 600 | 600             |
|      | 1150 |       | 511   |       |       |       |                 | 625 | 625             |
|      | 1200 |       | 536   |       |       |       |                 | 650 | 650             |
| 1250 | 561  | 675   | 675   |       |       |       |                 |     |                 |
| 1300 | 586  | 700   | 700   |       |       |       |                 |     |                 |
| 1350 | 611  | 725   | 725   |       |       |       |                 |     |                 |
| 1400 | 636  | 750   | 750   |       |       |       |                 |     |                 |
| 1450 | 661  | 775   | 775   |       |       |       |                 |     |                 |
| 1500 | 686  | 800   | 800   |       |       |       |                 |     |                 |
| 1600 | 736  | 850   | 850   |       |       |       |                 |     |                 |
| 1600 | 761  | 875   | 875   |       |       |       |                 |     |                 |
| 1650 | 786  | 900   | 900   |       |       |       |                 |     |                 |
| 1650 | 861  | 975   | 975   |       |       |       |                 |     |                 |
| 1700 | 886  | 1000  | 1000  |       |       |       |                 |     |                 |

Z 11382/...

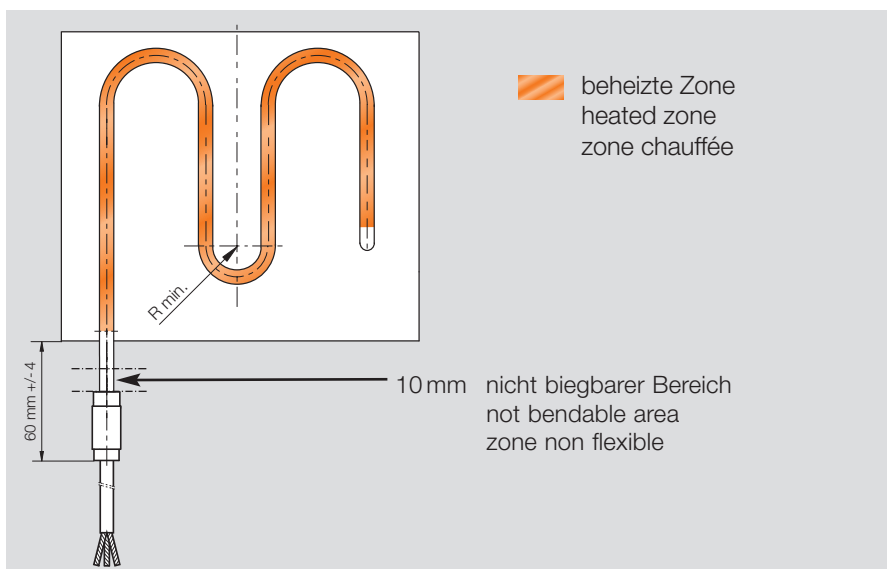


Rohrheizkörper, feuchtedicht und hochtemperaturbeständig  
 Tubular heating element, moisture-proof and high-temperature resistant  
 Élément chauffant tubulaire, étanche et hautes températures

230 V~



$l_2$  = beheizte Zone  
 heated zone  
 zone chauffée



6

| Watt | $l_2$ | $a_1$ | $b_1$ | $l_1$ | Nr./No.         |
|------|-------|-------|-------|-------|-----------------|
| 240  | 210   | 4     | 4     | 285   | Z 11382/4x4x285 |
| 280  | 235   |       |       | 310   | 310             |
| 315  | 265   |       |       | 340   | 340             |
| 370  | 305   |       |       | 380   | 380             |

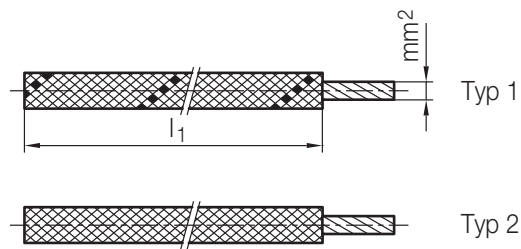
| Watt | $l_2$ | $a_1$ | $b_1$ | $l_1$ | Nr./No.         |
|------|-------|-------|-------|-------|-----------------|
| 420  | 345   | 4     | 4     | 420   | Z 11382/4x4x420 |
| 490  | 405   |       |       | 480   | 480             |
| 580  | 455   |       |       | 530   | 530             |
| 700  | 555   |       |       | 630   | 630             |


## Z1161/...

Anschlusskabel  
Extension cable  
Câble de connexion

max. °C: 250

CE

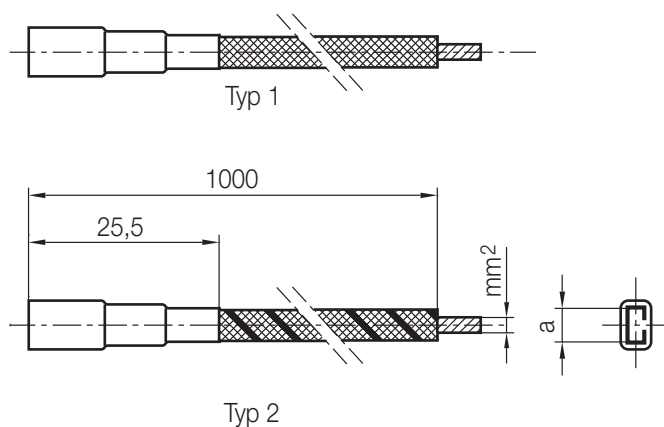
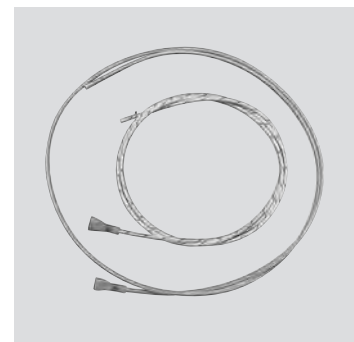


|  | Typ   | $l_1$ | mm <sup>2</sup> | Nr./No.    |
|---|-------|-------|-----------------|------------|
| 2x4m  | 1 + 2 | 4000  | <b>0,22</b>     | Z1161/0,22 |
| 2x6m  |       | 6000  | <b>0,75</b>     | 0,75       |
| 2x4m  |       | 4000  | <b>1,5</b>      | 1,5        |
| 2x2m  |       | 2000  | <b>2,5</b>      | 2,5        |

## Z1164/...

Anschlusskabel  
Extension cable  
Câble de connexion

CE



| max.°C | Typ | mm <sup>2</sup> | a          | Nr./No.       | EDV-Nr. |
|--------|-----|-----------------|------------|---------------|---------|
| 250    | 1+2 | <b>1,5</b>      | <b>4,8</b> | Z1164/1,5/4,8 | 92827   |