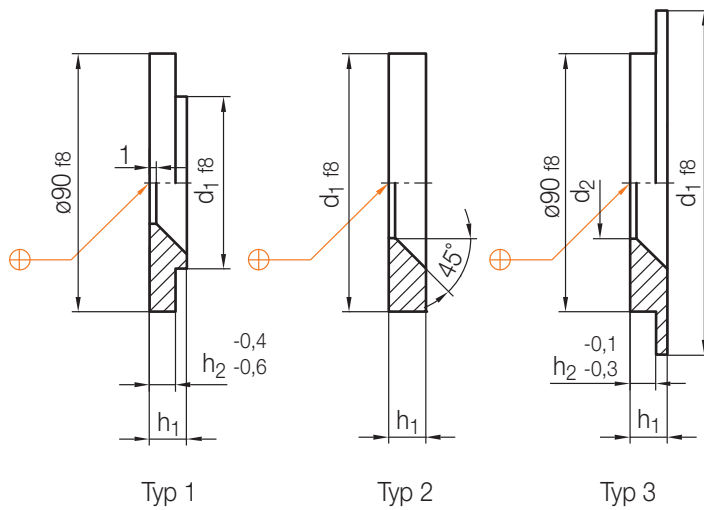
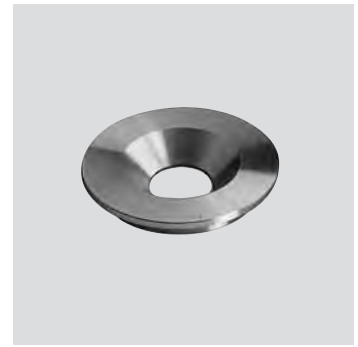


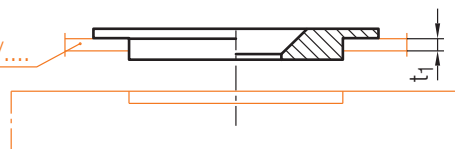
K 100/...

Zentrierflansch, feste Seite  
 Locating ring, fixed half  
 Rondelle de centrage, côté fixe  
 Mat.: 1.1730/640N/mm<sup>2</sup>



2

Z121/...; Z1212/...; Z1213/...



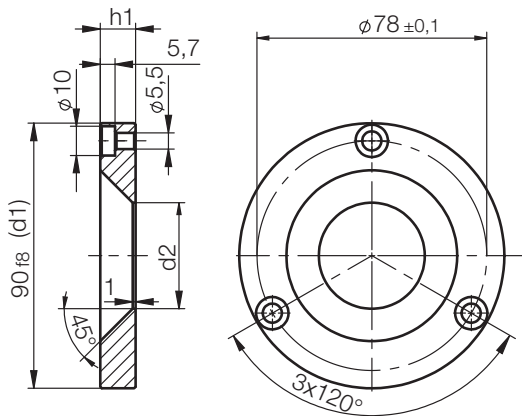
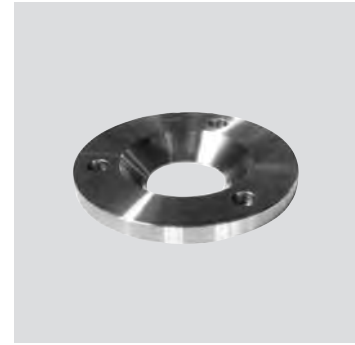
Neu / New / Nouveau

| Typ | d <sub>2</sub> | h <sub>2</sub> | t <sub>1</sub> | d <sub>1</sub> | h <sub>1</sub> | Nr./No.      |           |
|-----|----------------|----------------|----------------|----------------|----------------|--------------|-----------|
| 1   | 36             | 4              | -              | 60             | 8              | K 100/ 60x 8 |           |
|     |                | 7              | 3              |                | 11             | 60x 11       |           |
|     |                | 9              | 5              |                | 13             | 60x 13       |           |
|     | 26             | 4              | -              | 80             | 8              | K 100/ 80x 8 |           |
|     |                | 7              | 3              |                | 11             | 80x 11       |           |
|     |                | 9              | 5              |                | 13             | 80x 13       |           |
| 2   | 36             | -              | -              | 90             | 8              | K 100/ 90x 8 |           |
|     |                |                |                |                | 3              | 11           | 90x 11    |
|     |                |                |                |                | -              | 12           | 90x 12    |
|     |                |                |                |                | 5              | 13           | 90x 13    |
|     |                |                |                |                | 7              | 15           | 90x 15    |
|     |                |                |                |                | 8,5            | 16,5         | 90x 16,5  |
| 3   | 4              | -              | -              | 100            | 8              | K 100/100x 8 |           |
|     |                |                |                |                | 3              | 11           | 100x 11   |
|     |                |                |                |                | -              | 12           | 100x 12   |
|     |                |                |                |                | 5              | 13           | 100x 13   |
|     |                |                |                |                | 7              | 15           | 100x 15   |
|     |                |                |                |                | 8,5            | 16,5         | 100x 16,5 |
|     | 7              | 3              | -              | 110            | 8              | K 100/110x 8 |           |
|     |                |                |                |                | -              | 11           | 110x 11   |
|     |                |                |                |                | -              | 12           | 110x 12   |
|     |                |                |                |                | 5              | 13           | 110x 13   |
|     |                |                |                |                | 7              | 15           | 110x 15   |
|     |                |                |                |                | 8,5            | 16,5         | 110x 16,5 |
|     | 9              | 5              | -              | 120            | 8              | K 100/120x 8 |           |
|     |                |                |                |                | -              | 11           | 120x 11   |
|     |                |                |                |                | -              | 12           | 120x 12   |
|     |                |                |                |                | 7              | 13           | 120x 13   |
|     |                |                |                |                | 9              | 15           | 120x 15   |
|     |                |                |                |                | 8,5            | 16,5         | 120x 16,5 |

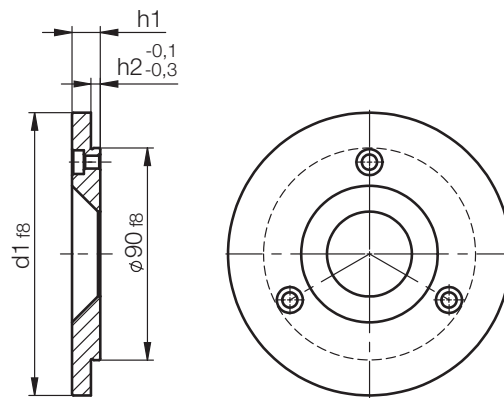
| Typ | d <sub>2</sub> | h <sub>2</sub> | t <sub>1</sub> | d <sub>1</sub> | h <sub>1</sub> | Nr./No.      |         |               |         |           |
|-----|----------------|----------------|----------------|----------------|----------------|--------------|---------|---------------|---------|-----------|
| 3   | 36             | 4              | -              | 125            | 8              | K 100/125x 8 |         |               |         |           |
|     |                |                |                |                | 3              | 11           | 125x 11 |               |         |           |
|     |                |                |                |                | -              | 12           | 125x 12 |               |         |           |
|     |                | 9              | 5              |                | -              | 13           | 125x 13 |               |         |           |
|     |                |                |                |                |                |              | 11      | 7             | 15      | 125x 15   |
|     |                |                |                |                |                |              |         |               | 12,5    | 8,5       |
|     |                | 4              | -              |                | -              | 130          | 12      | K 100/130x 12 |         |           |
|     |                |                |                |                |                |              | -       | -             | 140     | 140x 12   |
|     |                |                |                |                |                |              |         |               | 150     | 150x 12   |
|     |                | 4              | -              |                | -              | 160          | 8       | K 100/160x 8  |         |           |
|     |                |                |                |                |                |              | 3       | -             | 11      | 160x 11   |
|     |                |                |                |                |                |              |         |               | -       | 12        |
|     | 9              | 5              | -              | 13             | 160x 13        |              |         |               |         |           |
|     |                |                |                |                | 11             | 7            | 15      | 160x 15       |         |           |
|     |                |                |                |                |                |              | 12,5    | 8,5           | 16,5    | 160x 16,5 |
|     | 4              | -              | -              | 175            | 8              | K 100/175x 8 |         |               |         |           |
|     |                |                |                |                | 3              | -            | 11      | 175x 11       |         |           |
|     |                |                |                |                |                |              | -       | 12            | 175x 12 |           |
|     |                |                |                |                | 9              | 5            | -       | 13            | 175x 13 |           |
|     |                |                |                |                |                |              |         |               | 11      | 7         |
|     |                |                |                |                | 12,5           | 8,5          | 16,5    | 175x 16,5     |         |           |
|     | 4              | -              | -              | 180            | 12             | 180x 12      |         |               |         |           |
|     |                |                |                |                | -              | -            | 200     | 200x 12       |         |           |
|     |                |                |                |                |                |              | 250     | 250x 12       |         |           |
| -   |                |                |                |                | -              | -            | -       | -             |         |           |

K 1000/...

Zentrierflansch, mit Befestigungsbohrungen  
 Locating ring, with fixing holes  
 Rondelle de centrage, avec orifices de fixation  
 Mat.: 1.1730/640N/mm<sup>2</sup>

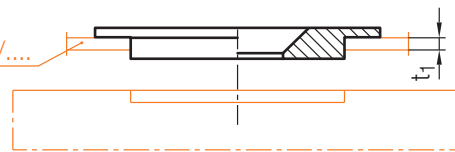


Typ 2



Typ 3

Z121/...; Z1212/...; Z1213/....



Neu / New / Nouveau

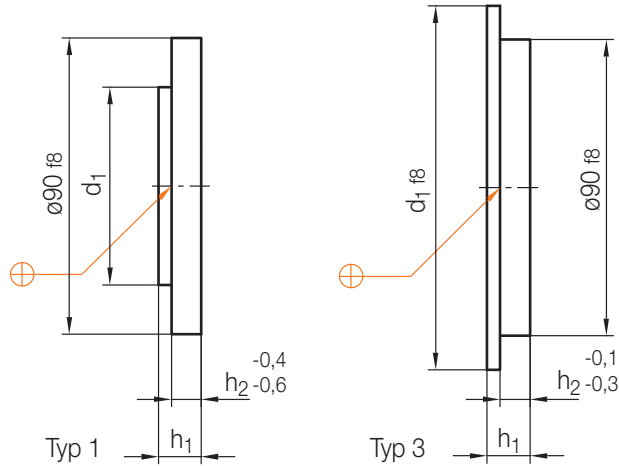
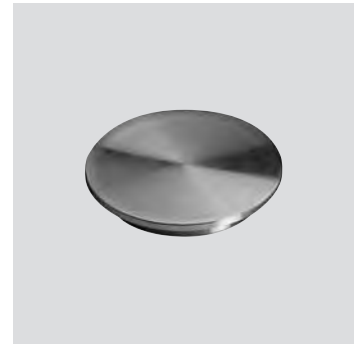
| Typ | d <sub>2</sub> | h <sub>2</sub> | t <sub>1</sub> | d <sub>1</sub> | h <sub>1</sub> | Nr./No.       |      |          |               |
|-----|----------------|----------------|----------------|----------------|----------------|---------------|------|----------|---------------|
| 2   | 36             | -              | 3              | 90             | 11             | K 1000/ 90x11 |      |          |               |
|     |                |                |                |                | 12             | 90x12         |      |          |               |
|     |                |                |                |                | 13             | 90x13         |      |          |               |
|     |                |                |                |                | 15             | 90x15         |      |          |               |
| 3   |                |                |                | 100            | 11             | K 1000/100x11 |      |          |               |
|     |                |                |                |                | 12             | 100x12        |      |          |               |
|     |                |                |                |                | 13             | 100x13        |      |          |               |
|     |                |                |                |                | 15             | 100x15        |      |          |               |
|     |                |                |                |                | 11             | 100x15        |      |          |               |
|     |                |                |                |                | 12,5           | 8,5           | 16,5 | 100x16,5 |               |
|     |                |                |                |                | 7              | 3             | 110  | 11       | K 1000/110x11 |
|     |                |                |                |                | 12             | 110x12        |      |          |               |
|     |                |                |                |                | 15             | 110x15        |      |          |               |
|     |                |                |                |                | 16,5           | 110x16,5      |      |          |               |
|     |                |                |                |                | 4              | -             | 120  | 12       | K 1000/120x12 |
|     |                |                |                |                | 13             | 120x13        |      |          |               |
| 15  | 120x15         |                |                |                |                |               |      |          |               |

| Typ | d <sub>2</sub> | h <sub>2</sub> | t <sub>1</sub> | d <sub>1</sub> | h <sub>1</sub> | Nr./No.       |        |               |          |               |
|-----|----------------|----------------|----------------|----------------|----------------|---------------|--------|---------------|----------|---------------|
| 3   | 36             |                |                |                |                | K 1000/125x11 |        |               |          |               |
|     |                |                |                |                |                | 7             | 3      | 125           | 11       | K 1000/125x11 |
|     |                |                |                |                |                | 12            | 125x12 |               |          |               |
|     |                |                |                |                |                | 4             | -      | 12            | 125x12   |               |
|     |                |                |                |                |                | 9             | 5      | 13            | 125x13   |               |
|     |                |                |                |                |                | 11            | 7      | 15            | 125x15   |               |
|     |                |                |                |                |                | 12,5          | 8,5    | 16,5          | 125x16,5 |               |
|     |                |                |                |                |                | 4             | -      | 140           | 12       | K 1000/140x12 |
|     |                |                |                |                |                | 160           | 12     | K 1000/160x12 |          |               |
|     |                |                |                |                |                | 11            | 7      | 15            | 160x15   |               |
|     |                |                |                |                |                | 12,5          | 8,5    | 16,5          | 160x16,5 |               |
|     |                |                |                |                |                | 4             | -      | 175           | 12       | K 1000/175x12 |
|     |                |                |                |                |                | 200           | 12     | 200x12        |          |               |
|     |                |                |                |                |                |               |        |               |          |               |
|     |                |                |                |                |                |               |        |               |          |               |

K 500/...

Zentrierflansch,  
bewegliche Seite  
Locating ring,  
moving half  
Rondelle de centrage,  
côté mobile

Mat.: 1.1730/640 N/mm<sup>2</sup>



2

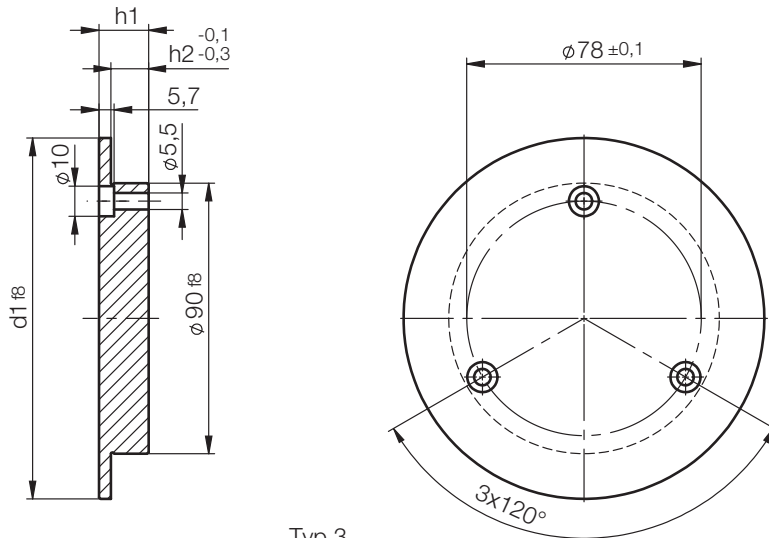
Z121/...; Z1212/...; Z1213/...

**Neu / New / Nouveau**

| Typ  | h <sub>2</sub> | t <sub>1</sub> | d <sub>1</sub> | h <sub>1</sub> | Nr./No.       |
|------|----------------|----------------|----------------|----------------|---------------|
| 1    | 4              | -              | 60             | 8              | K 500/ 60x 8  |
|      | 7              | 3              |                | 11             | 60x 11        |
|      | 9              | 5              |                | 13             | 60x 13        |
|      | 4              | -              | 80             | 8              | K 500/ 80x 8  |
|      | 7              | 3              |                | 11             | 80x 11        |
|      | 9              | 5              |                | 13             | 80x 13        |
| 3    | 4              | -              | 100            | 8              | K 500/ 100x 8 |
|      | 7              | 3              |                | 11             | 100x 11       |
|      | 4              | -              |                | 12             | 100x 12       |
|      | 9              | 5              |                | 13             | 100x 13       |
|      | 11             | 7              |                | 15             | 100x 15       |
|      | 12,5           | 8,5            |                | 16,5           | 100x 16,5     |
|      | 4              | -              | 110            | 8              | K 500/ 110x 8 |
|      | 7              | 3              |                | 11             | 110x 11       |
|      | 4              | -              |                | 12             | 110x 12       |
|      | 9              | 5              |                | 13             | 110x 13       |
|      | 11             | 7              |                | 15             | 110x 15       |
|      | 12,5           | 8,5            |                | 16,5           | 110x 16,5     |
|      | 4              | -              | 120            | 8              | K 500/ 120x 8 |
|      | 7              | 3              |                | 11             | 120x 11       |
|      | 4              | -              |                | 12             | 120x 12       |
|      | 9              | 5              |                | 13             | 120x 13       |
|      | 11             | 7              |                | 15             | 120x 15       |
|      | 12,5           | 8,5            |                | 16,5           | 120x 16,5     |
| 3    | 4              | -              | 125            | 8              | K 500/ 125x 8 |
|      | 7              | 3              |                | 11             | 125x 11       |
|      | 4              | -              |                | 12             | 125x 12       |
|      | 9              | 5              |                | 13             | 125x 13       |
|      | 11             | 7              |                | 15             | 125x 15       |
|      | 12,5           | 8,5            |                | 16,5           | 125x 16,5     |
|      | 4              | -              | 140            | 8              | K 500/ 140x 8 |
|      | 7              | 3              |                | 11             | 140x 11       |
|      | 4              | -              |                | 12             | 140x 12       |
|      | 9              | 5              |                | 13             | 140x 13       |
|      | 11             | 7              |                | 15             | 140x 15       |
|      | 12,5           | 8,5            |                | 16,5           | 140x 16,5     |
|      | 4              | -              | 150            | 8              | K 500/ 150x 8 |
|      | 7              | 3              |                | 11             | 150x 11       |
|      | 4              | -              |                | 12             | 150x 12       |
|      | 9              | 5              |                | 13             | 150x 13       |
|      | 11             | 7              |                | 15             | 150x 15       |
|      | 12,5           | 8,5            |                | 16,5           | 150x 16,5     |
| 4    | -              | 160            | 8              | K 500/ 160x 8  |               |
| 7    | 3              |                | 11             | 160x 11        |               |
| 4    | -              |                | 12             | 160x 12        |               |
| 9    | 5              |                | 13             | 160x 13        |               |
| 11   | 7              |                | 15             | 160x 15        |               |
| 12,5 | 8,5            |                | 16,5           | 160x 16,5      |               |
| 4    | -              | 175            | 8              | K 500/ 175x 8  |               |
| 7    | 3              |                | 11             | 175x 11        |               |
| 4    | -              |                | 12             | 175x 12        |               |
| 9    | 5              |                | 13             | 175x 13        |               |
| 11   | 7              |                | 15             | 175x 15        |               |
| 12,5 | 8,5            |                | 16,5           | 175x 16,5      |               |
| 4    | -              | 200            | 8              | K 500/ 200x 8  |               |
| 7    | 3              |                | 11             | 200x 11        |               |
| 4    | -              |                | 12             | 200x 12        |               |
| 9    | 5              |                | 13             | 200x 13        |               |
| 11   | 7              |                | 15             | 200x 15        |               |
| 12,5 | 8,5            |                | 16,5           | 200x 16,5      |               |
| 4    | -              | 250            | 8              | K 500/ 250x 8  |               |
| 7    | 3              |                | 11             | 250x 11        |               |
| 4    | -              |                | 12             | 250x 12        |               |
| 9    | 5              |                | 13             | 250x 13        |               |
| 11   | 7              |                | 15             | 250x 15        |               |
| 12,5 | 8,5            |                | 16,5           | 250x 16,5      |               |

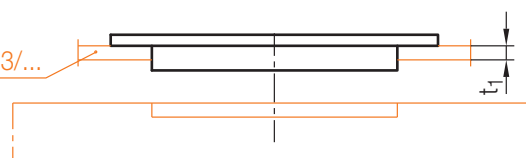
K501/...

Zentrierflansch, mit Befestigungsbohrungen  
 Locating ring, with fixing holes  
 Rondelle de centrage, avec orifices de fixation  
 Mat.: 1.1730/640N/mm<sup>2</sup>



Typ 3

Z121/...; Z1212/...; Z1213/...



Neu / New / Nouveau

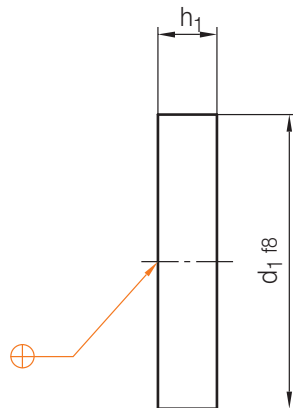
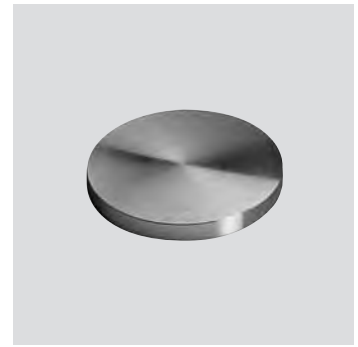
| Typ  | h <sub>2</sub> | t <sub>1</sub> | d <sub>1</sub> | h <sub>1</sub> | Nr. / No.    |
|------|----------------|----------------|----------------|----------------|--------------|
| 3    | 4              | -              | 100            | 8              | K501/ 100x 8 |
|      |                |                |                | 12             | 100x12       |
|      |                |                |                | 13             | 100x13       |
|      |                |                |                | 15             | 100x15       |
|      | 12,5           | 8,5            | 110            | 16,5           | 100x16,5     |
|      | 4              | -              |                | 8              | K501/ 110x 8 |
|      | 7              | 3              |                | 11             | 110x11       |
|      | 4              | -              |                | 12             | 110x12       |
|      | 9              | 5              | 13             | 110x13         |              |
|      | 11             | 7              | 15             | 110x15         |              |
|      | 12,5           | 8,5            | 120            | 16,5           | 110x16,5     |
|      | 9              | 5              |                | 13             | K501/ 120x13 |
| 11   | 7              | 15             |                | 120x15         |              |
| 12,5 | 8,5            | 16,5           |                | 120x16,5       |              |

| Typ | h <sub>2</sub> | t <sub>1</sub> | d <sub>1</sub> | h <sub>1</sub> | Nr. / No.    |
|-----|----------------|----------------|----------------|----------------|--------------|
| 3   | 4              | -              | 125            | 8              | K501/ 125x 8 |
|     |                |                |                | 11             | 125x11       |
|     |                |                |                | 12             | 125x12       |
|     |                |                |                | 13             | 125x13       |
|     |                |                |                | 15             | 125x15       |
|     |                |                |                | 16,5           | 125x16,5     |
|     | 12,5           | 8,5            | 160            | 8              | K501/ 160x 8 |
|     |                |                |                | 11             | 160x11       |
|     |                |                |                | 12             | 160x12       |
|     |                |                |                | 13             | 160x13       |
|     |                |                |                | 15             | 160x15       |
|     |                |                |                | 16,5           | 160x16,5     |
|     | 4              | -              | 175            | 8              | K501/ 175x 8 |
|     |                |                |                | 12             | 175x12       |
|     |                |                |                | 16,5           | 175x16,5     |
|     |                |                |                | 12,5           | 8,5          |

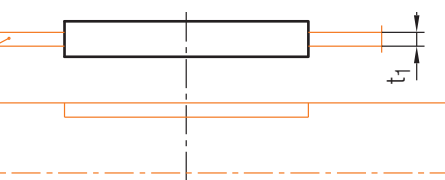
K 505 / ...

Zentrierflansch, ohne Ansatz  
 Locating ring, movable half  
 Rondelle de centrage, côté mobile

Mat.: 1.1730 / 640 N/mm<sup>2</sup>



2

Z121/...; Z1212/...; Z1213/... 

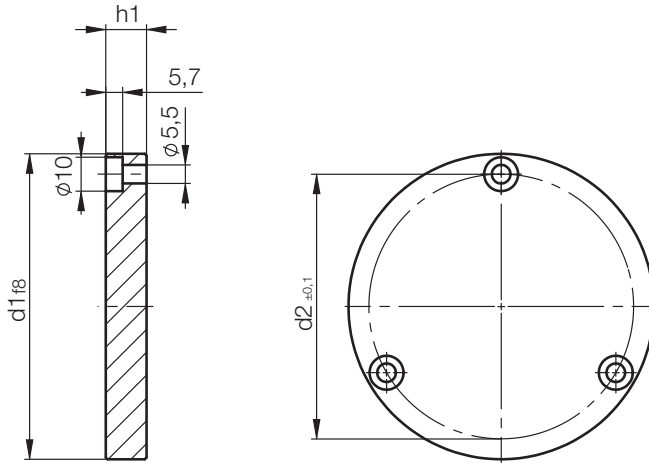
| Neu / New / Nouveau |                |                |               |
|---------------------|----------------|----------------|---------------|
| t <sub>1</sub>      | d <sub>1</sub> | h <sub>1</sub> | Nr./No.       |
| -                   | 40             | 6              | K 505/ 40x 6  |
| 3                   |                | 9              | 40x 9         |
| -                   | 60             | 8              | K 505/ 60x 8  |
| 3                   |                | 11             | 60x 11        |
| 5                   |                | 13             | 60x 13        |
| -                   | 80             | 8              | K 505/ 80x 8  |
| 3                   |                | 11             | 80x 11        |
| 5                   |                | 13             | 80x 13        |
| -                   | 90             | 8              | K 505/ 90x 8  |
| 3                   |                | 11             | 90x 11        |
| -                   |                | 12             | 90x 12        |
| 5                   |                | 13             | 90x 13        |
| 7                   |                | 15             | 90x 15        |
| 8,5                 |                | 16,5           | 90x 16,5      |
| -                   | 100            | 8              | K 505/ 100x 8 |
|                     |                | 12             | 100x 12       |

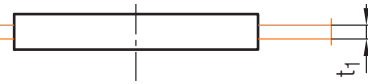
| t <sub>1</sub> | d <sub>1</sub> | h <sub>1</sub> | Nr./No.        |
|----------------|----------------|----------------|----------------|
| -              | 110            | 8              | K 505/ 110x 8  |
|                |                | 12             | 110x 12        |
|                | 120            | 8              | K 505/ 120x 8  |
|                |                | 12             | 120x 12        |
|                | 125            | 8              | K 505/ 125x 8  |
|                |                | 12             | 125x 12        |
|                | 130            |                | K 505/ 130x 12 |
|                |                |                |                |
|                | 140            |                |                |
|                |                |                |                |
|                | 150            | 8              | K 505/ 150x 8  |
|                |                | 12             | 150x 12        |
|                | 160            | 8              | K 505/ 160x 8  |
|                |                | 12             | 160x 12        |
|                | 175            | 8              | K 505/ 175x 8  |
|                |                | 12             | 175x 12        |
|                | 200            | 8              | K 505/ 200x 8  |
|                |                | 12             | 200x 12        |
|                | 250            |                |                |
|                |                |                |                |

K 506/...

Zentrierflansch, mit Befestigungsbohrungen  
 Locating ring, with fixing holes  
 Rondelle de centrage, avec orifices de fixation  
 Mat.: 1.1730/640N/mm<sup>2</sup>



Z121/...; Z1212/...; Z1213/...



Neu / New / Nouveau

| t <sub>1</sub> | d <sub>2</sub> | d <sub>1</sub> | h <sub>1</sub> | Nr./No.       |
|----------------|----------------|----------------|----------------|---------------|
| -              | 48             | 60             | 8              | K 506/ 60x 8  |
| 3              |                |                | 11             | 60x 11        |
| 5              |                |                | 13             | 60x 13        |
| -              | 68             | 80             | 8              | K 506/ 80x 8  |
| 3              |                |                | 11             | 80x 11        |
| 5              |                |                | 13             | 80x 13        |
| -              | 78             | 90             | 8              | K 506/ 90x 8  |
| 3              |                |                | 11             | 90x 11        |
| -              |                |                | 12             | 90x 12        |
| 5              |                |                | 13             | 90x 13        |
| 7              |                |                | 15             | 90x 15        |
| 8,5            |                |                | 16,5           | 90x 16,5      |
| -              | 82             | 100            | 8              | K 506/ 100x 8 |
|                |                |                | 12             | 100x 12       |
|                | 90             | 110            | 8              | K 506/ 110x 8 |
|                |                |                | 12             | 110x 12       |

| t <sub>1</sub> | d <sub>2</sub> | d <sub>1</sub> | h <sub>1</sub> | Nr./No.        |
|----------------|----------------|----------------|----------------|----------------|
| -              | 104            | 120            | 8              | K 506/ 120x 8  |
|                |                |                | 12             | 120x 12        |
|                |                | 125            | 8              | K 506/ 125x 8  |
|                |                |                | 12             | 125x 12        |
|                |                | 109            | 130            | K 506/ 130x 12 |
|                |                | 119            | 140            | 140x 12        |
|                | 144            | 160            | 8              | K 506/ 160x 8  |
|                |                |                | 12             | 160x 12        |
|                |                | 175            | 8              | K 506/ 175x 8  |
|                |                |                | 12             | 175x 12        |
|                | 194            | 200            | 8              | K 506/ 200x 8  |
|                |                |                | 12             | 200x 12        |
|                |                | 250            |                | 250x 12        |