

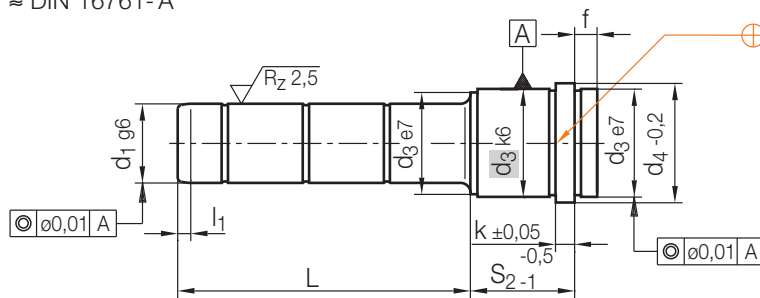
Z00/...

Führungssäule, mit Zentrieransatz
 Locating guide pillar, shouldered
 Colonne de guidage, avec plot de centrage

Mat.: ≈ 1.0401/690 + 70 HV 30
 ≈ DIN 16761-A



1

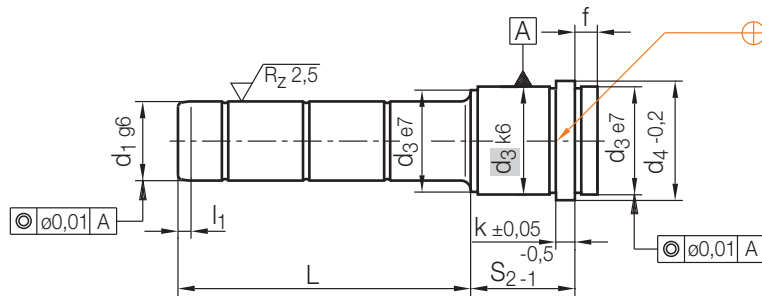
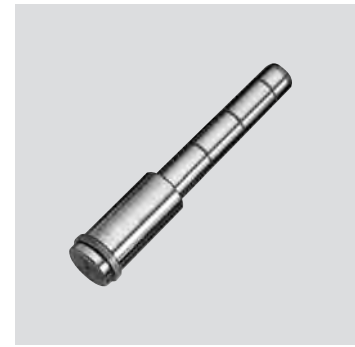


							∅		∅							
l_1	f	k	d_3	d_4	S_2	d_1	L	Nr./No.	d_1	Nr./No.						
4	3	3	14	16	9	9	20	Z00/ 9/ 9x 20	10	Z00/ 9/10x20						
							35	35		35						
							50	50		50						
						12	9	25	Z00/12/ 9x 25	10	Z00/12/10x 25					
								45	45		45					
								65	65		65					
					17	9	20	Z00/17/ 9x 20	10	Z00/17/10x 20						
							30	30		30						
							50	50		50						
					4	3	3	14	16	22	9	25	Z00/22/ 9x 25	10	Z00/22/10x 25	
												35	35		35	
												55	55		55	
27	9	20	Z00/27/ 9x 20	10							Z00/27/10x 20					
		30	30								30					
		50	50								50					
4	3	3	14	16						36	9	25	Z00/36/ 9x 25	10	Z00/36/10x 25	
												45	45		45	
												65	65		65	
											46	9	30	Z00/46/ 9x 30	10	Z00/46/10x 30
													45	45		45
													70	70		70
					56	9	35	Z00/56/ 9x 35	10	Z00/56/10x 35						
							60	60		60						
							66	66		66						
					7	9	6	20	25	17	14	35	Z00/17/14x 35	15	Z00/17/15x 35	
												55	55		55	
												75	75		75	
22	14	30	Z00/22/14x 30	15							Z00/22/15x 30					
		50	50								50					
		70	70								70					
90	90	90	90	90												
		110	110	110												
		125	125	125												
150	150	150	150	150												

Z00/...

Führungssäule, mit Zentrieransatz
 Locating guide pillar, shouldered
 Colonne de guidage, avec plot de centrage

Mat.: ≈ 1.0401/690 + 70 HV 30
 ≈ DIN 16761-A



							∅			∅					
l_1	f	k	d_3	d_4	S_2	d_1	L	Nr./No.	d_1	Nr./No.					
7	9	6	20	25	27	14	30	Z00/ 27/14x 30	15	Z00/ 27/15x 30					
							45	45		45					
							65	65		65					
							85	85		85					
							105	105		105					
							125	125		125					
							145	145		145					
					36	14	35	Z00/ 36/14x 35	15	Z00/ 36/15x 35					
							55	55		55					
							75	75		75					
							95	95		95					
							125	125		125					
							155	155		155					
							46	14		35	Z00/ 46/14x 35	15	Z00/ 46/15x 35		
45	45	45													
65	65	65													
85	85	85													
105	105	105													
125	125	125													
145	145	145													
7	9	6	20	25	56	14	35	Z00/ 56/14x 35	15	Z00/ 56/15x 35					
							55	55		55					
							75	75		75					
							95	95		95					
							135	135		135					
							66	14		55	Z00/ 66/14x 55	15	Z00/ 66/15x 55		
										65	65		65		
					95	95			95						
					125	125			125						
					76	14			55	Z00/ 76/14x 55	15		Z00/ 76/15x 55		
									95	95			95		
									86	14			55	Z00/ 86/14x 55	15
					95	95	95								
					96	14	55	Z00/ 96/14x 55	15	Z00/ 96/15x 55					
95	95	95													
116	14	75	Z00/116/14x 75	15			Z00/116/15x 75								

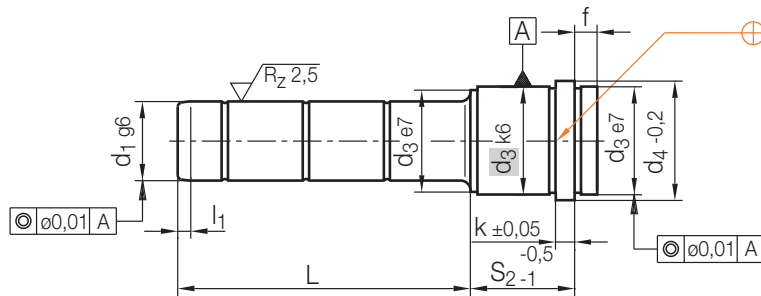
Z00/...

Führungssäule, mit Zentrieransatz
 Locating guide pillar, shouldered
 Colonne de guidage, avec plot de centrage

Mat.: ≈ 1.0401/690 + 70 HV 30
 ≈ DIN 16761-A



1

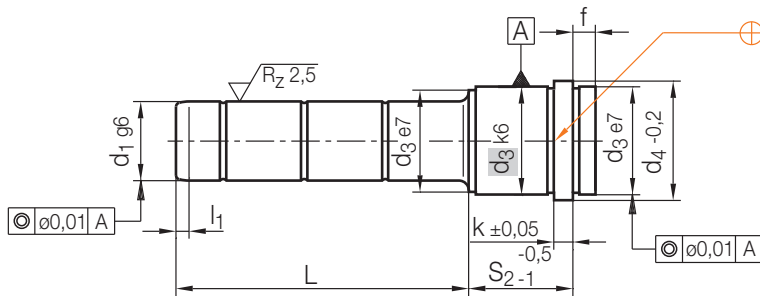
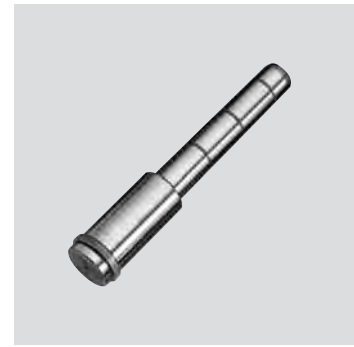


							∅		∅	
l_1	f	k	d_3	d_4	S_2	d_1	L	Nr./No.	d_1	Nr./No.
7	9	6	26	31	17	18	35	Z00/ 17/18x 35	20	Z00/ 17/20x 35
							55	55		55
							75	75		75
							120	120		120
							22	18		35
					45	45	45			
					65	65	65			
					85	85	85			
					115	115	115			
					7	9	6	26	31	27
45	45	45								
65	65	65								
85	85	85								
105	105	105								
125	125	125								
165	165	165								
225	225	225								
245	245	245								
7	9	6	26	31	36	18	35	Z00/ 36/18x 35	20	Z00/ 36/20x 35
							55	55		55
							75	75		75
							95	95		95
							115	115		115
							135	135		135
							165	165		165
							225	225		225
255	255	255								
7	9	6	26	31	46	18	35	Z00/ 46/18x 35	20	Z00/ 46/20x 35
							45	45		45
							65	65		65
							85	85		85
							105	105		105
							135	135		135
							165	165		165
							245	245		245
7	9	6	26	31	56	18	35	Z00/ 56/18x 35	20	Z00/ 56/20x 35
							55	55		55
							75	75		75
							95	95		95
							155	155		155

Z00/...

Führungssäule, mit Zentrieransatz
 Locating guide pillar, shouldered
 Colonne de guidage, avec plot de centrage

Mat.: ≈ 1.0401/690 + 70 HV 30
 ≈ DIN 16761-A



								∅			∅				
l_1	f	k	d_3	d_4	S_2	d_1	L	Nr./No.	d_1	Nr./No.					
7	9	6	26	31	66	18	35	Z00/ 66/18x 35	20	Z00/ 66/20x 35					
							55	55		55					
							75	75		75					
							95	95		95					
							145	145		145					
							76	18		55	Z00/ 76/18x 55	20	Z00/ 76/20x 55		
					75	75	75								
					95	95	95								
					135	135	135								
					86	18	55	Z00/ 86/18x 55	20	Z00/ 86/20x 55					
											75	75			
											95	95			
125	125														
96	18	55	Z00/ 96/18x 55	20							Z00/ 96/20x 55				
95	95														
116	18	75	Z00/116/18x 75	20	Z00/116/20x 75										
115	115														
136	18	135	Z00/136/18x135	20	Z00/136/20x135										
7	9	6	30	35	17	22	35	Z00/ 17/22x 35	24	Z00/ 17/24x 35					
							55	55		55					
							75	75		75					
							22	22		35	Z00/ 22/22x 35	24	Z00/ 22/24x 35		
							55	55		55					
							75	75		75					
					105	105	105								
					130	130	130								
					7	9	6	30	35	27	22	35	Z00/ 27/22x 35	24	Z00/ 27/24x 35
												45	45		45
												65	65		65
												85	85		85
105	105	105													
125	125	125													
165	165	165													
205	205	205													
245	245	245													
285	285	285													

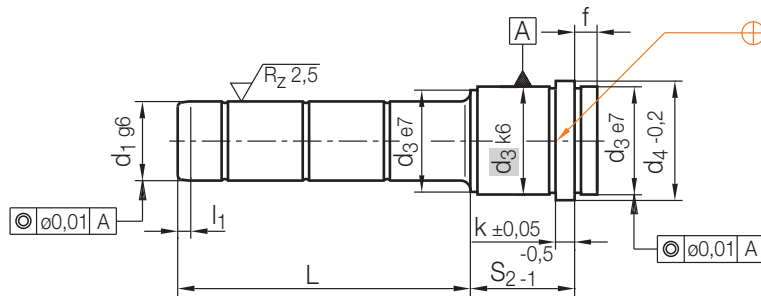
Z00/...

Führungssäule, mit Zentrieransatz
 Locating guide pillar, shouldered
 Colonne de guidage, avec plot de centrage

Mat.: ≈ 1.0401/690 + 70 HV 30
 ≈ DIN 16761-A



1

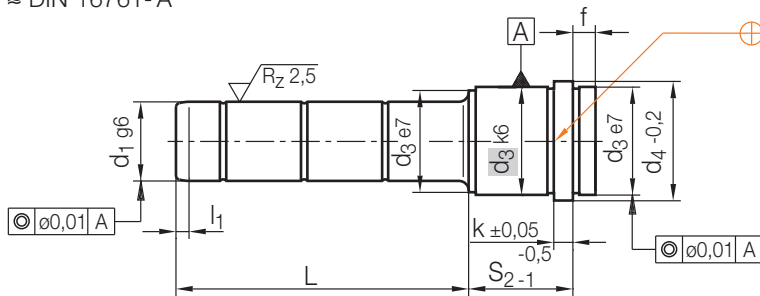
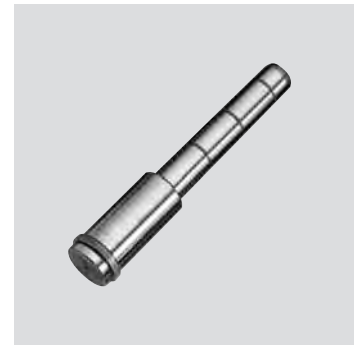


							∅		∅									
l_1	f	k	d_3	d_4	S_2	d_1	L	Nr./No.	d_1	Nr./No.								
7	9	6	30	35	36	22	35	Z00/ 36/22x 35	24	Z00/ 36/24x 35								
							55	55		55								
							75	75		75								
							95	95		95								
							115	115		115								
							135	135		135								
							165	165		165								
							205	205		205								
							245	245		245								
							285	285		285								
7	9	6	30	35	46	22	35	Z00/ 46/22x 35	24	Z00/ 46/24x 35								
							45	45		45								
							65	65		65								
							85	85		85								
							105	105		105								
							125	125		125								
							165	165		165								
							205	205		205								
							7	9		6	30	35	56	22	35	Z00/ 56/22x 35	24	Z00/ 56/24x 35
															55	55		55
75	75	75																
95	95	95																
115	115	115																
165	165	165																
205	205	205																
7	9	6	30	35	66	22			35						Z00/ 66/22x 35	24		Z00/ 66/24x 35
									55						55			55
									75						75			75
							95	95	95									
							155	155	155									
							76	22	55	Z00/ 76/22x 55	24	Z00/ 76/24x 55						
									75	75		75						
					95	95			95									
					115	115			115									
					145	145			145									
					86	22			55	Z00/ 86/22x 55		24	Z00/ 86/24x 55					
									75	75			75					
							95	95	95									
							135	135	135									

Z00/...

Führungssäule, mit Zentrieransatz
 Locating guide pillar, shouldered
 Colonne de guidage, avec plot de centrage

Mat.: ≈ 1.0401/690 + 70 HV 30
 ≈ DIN 16761-A



l_1	f	k	d_3	d_4	S_2	d_1	L	Nr./No.	d_1	Nr./No.
7	9	6	30	35	96	22	55	Z00/ 96/22x 55	24	Z00/ 96/24x 55
							75	75		75
							95	95		95
							125	125		125
					116	22	75	Z00/116/22x 75	24	Z00/116/24x 75
							115	115		115
							155	155		155
							136	22		95
					135	135			135	
					156	22	155	Z00/156/22x155	24	Z00/156/24x155
					7	9	6	42	47	22
75	75	75								
130	130	130								
27	30	45	Z00/ 27/30x 45	32						
		65	65							65
		105	105							105
		165	165							165
185		185	185	185						
		245	245	245						
		285	285	285						
		36	30	55						Z00/ 36/30x 55
75	75			75						
95	95			95						
115	115			115						
155		155	155	155						
		245	245	245						
		285	285	285						
		7	9	6	42	47	46	30	45	Z00/ 46/30x 45
65	65								65	
85	85								85	
105	105								105	
125							125	125	125	
							165	165	165	
							245	245	245	
							285	285	285	
56	30	55	Z00/ 56/30x 55	32	Z00/ 56/32x 55					
		75	75		75					
		95	95		95					
		115	115		115					
135		135	135	135						
		175	175	175						

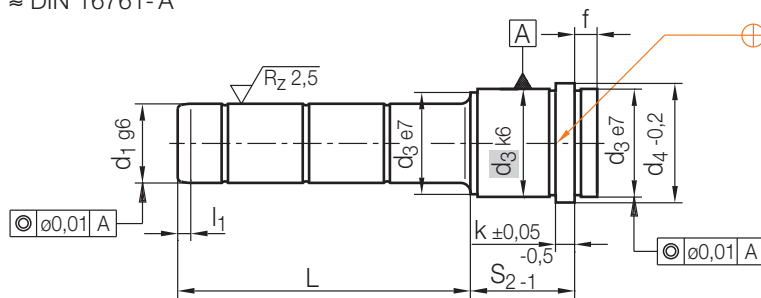
Z00/...

Führungssäule, mit Zentrieransatz
 Locating guide pillar, shouldered
 Colonne de guidage, avec plot de centrage

Mat.: ≈ 1.0401/690 + 70 HV 30
 ≈ DIN 16761-A



1



							∅		∅						
l ₁	f	k	d ₃	d ₄	S ₂	d ₁	L	Nr./No.	d ₁	Nr./No.					
7	9	6	42	47	56	30	245	Z00/ 56/30x245	32	Z00/ 56/32x245					
							295	295		Z00/ 56/32x 295					
							66	30		55	Z00/ 66/30x 55	32	Z00/ 66/32x 55		
						75	75		Z00/ 66/32x 75						
						95	95		Z00/ 66/32x 95						
						115	115		Z00/ 66/32x 115						
						135	135		Z00/ 66/32x 135						
						175	175		Z00/ 66/32x 175						
						245	245	Z00/ 66/32x 245							
					295	295	Z00/ 66/32x 295								
					76	30	55	Z00/ 76/30x 55	32	Z00/ 76/32x 55					
					75		75	Z00/ 76/32x 75							
					95		95	Z00/ 76/32x 95							
					115		115	Z00/ 76/32x 115							
					155		155	Z00/ 76/32x 155							
					225	225	Z00/ 76/32x 225								
					7	9	6	42	47	86	30	55	Z00/ 86/30x 55	32	Z00/ 86/32x 55
												75	75		Z00/ 86/32x 75
												95	95		Z00/ 86/32x 95
												115	115		Z00/ 86/32x 115
												155	155		Z00/ 86/32x 155
225	225	Z00/ 86/32x 225													
96	30	55	Z00/ 96/30x 55	32							Z00/ 96/32x 55				
75		75	Z00/ 96/32x 75												
95		95	Z00/ 96/32x 95												
115		115	Z00/ 96/32x 115												
155		155	Z00/ 96/32x 155												
205		205	Z00/ 96/32x 205												
116	30	75	Z00/116/30x 75	32							Z00/116/32x 75				
115		115	Z00/116/32x 115												
155		155	Z00/116/32x 155												
136	30	95	Z00/136/30x 95	32						Z00/136/32x 95					
115		115	Z00/136/32x 115												
155		155	Z00/136/32x 155												
156	30	115	Z00/156/30x115	32						Z00/156/32x115					
155		155	Z00/156/32x 155												
176	30	135	Z00/176/30x135	32						Z00/176/32x135					
175		175	Z00/176/32x 175												
196	30	155	Z00/196/30x155	32						Z00/196/32x155					
195		195	Z00/196/32x 195												

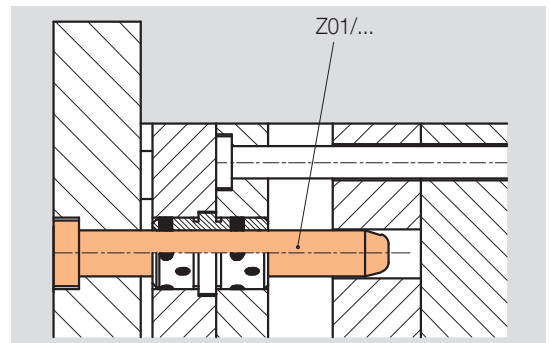
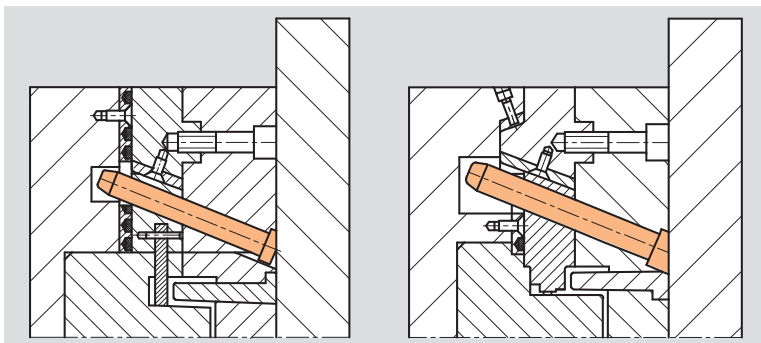
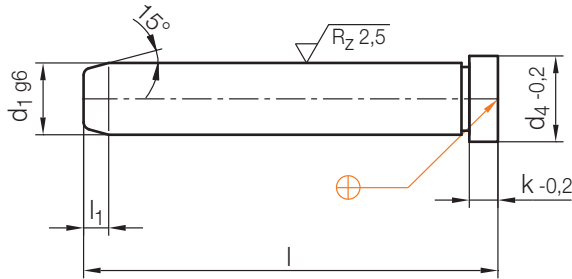
Z01/...

Führungssäule (Schrägzugsäule)
 Guide pillar (Angle Pin)
 Colonne de guidage

Mat.: ≈ 1.0401/720 HV 30
 DIN ISO 8404-A



1



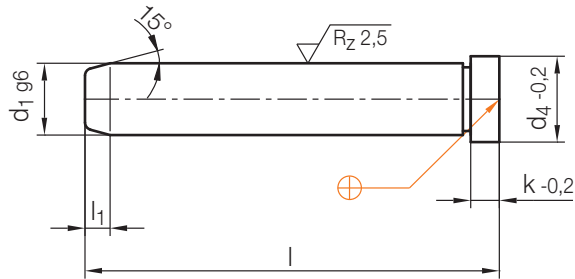
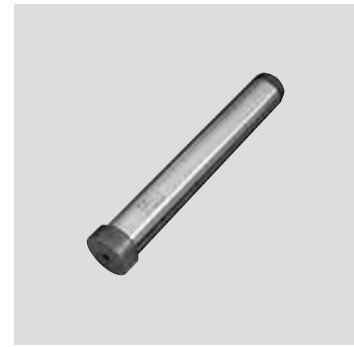
l_1	d_4	k	d_1	l	Nr./No.			
4	10	3	8	40	Z01/ 8x 40			
				50	50			
				60	60			
				80	80			
				100	100			
	12	9	40	Z01/ 9x 40				
				60	60			
				80	80			
				100	100			
				120	120			
		10	40	Z01/10x 40				
				60	60			
				80	80			
				100	100			
				120	120			
7	16	6	12	40	Z01/12x 40			
				60	60			
				80	80			
				100	100			
				120	120			
				140	140			
				160	160			
				18	8	14	60	Z01/14x 60
							80	80
							100	100
	120	120						
	140	140						
					160	160		
					180	180		

l_1	d_4	k	d_1	l	Nr./No.		
7	18	8	15	60	Z01/15x 60		
				80	80		
				100	100		
				120	120		
				140	140		
				160	160		
				180	180		
				20	16	40	Z01/16x 40
						60	60
						80	80
	100	100					
	120	120					
	18	60	Z01/16x 40				
			60		60		
			80		80		
			100		100		
			120		120		
	22	18	60	Z01/18x 60			
			80	80			
			100	100			
120			120				
140			140				
160			160				
180			180				
						200	200
						240	240

Z01/...

Führungssäule (Schrägzugsäule)
 Guide pillar (Angle Pin)
 Colonne de guidage

Mat.: ≈ 1.0401/720 HV 30
 DIN ISO 8404-A



l_1	d_4	k	d_1	l	Nr./No.			
7	24	8	20	60	Z01/20x 60			
				80	80			
				100	100			
				120	120			
				140	140			
				160	160			
				180	180			
				200	200			
				240	240			
				26	15	22	80	Z01/22x 80
							100	100
							120	120
							140	140
160	160							
180	180							
200	200							
220	220							
240	240							
300	300							
28		24	80	Z01/24x 80				
			100	100				
			120	120				
			140	140				
			160	160				
			180	180				
			200	200				
			220	220				
			240	240				
			300	300				

l_1	d_4	k	d_1	l	Nr./No.				
7	36	15	30	100	Z01/30x100				
				120	120				
				160	160				
				200	200				
				240	240				
				300	300				
				360	360				
				32	100	Z01/32x100			
						120	120		
			160			160			
			200			200			
			240			240			
			300			300			
			360			360			
			10			48	40	160	Z01/40x160
								200	200
				240	240				
				300	300				
360	360								
58	50	160		Z01/50x160					
				200	200				
				240	240				
				300	300				
			360	360					

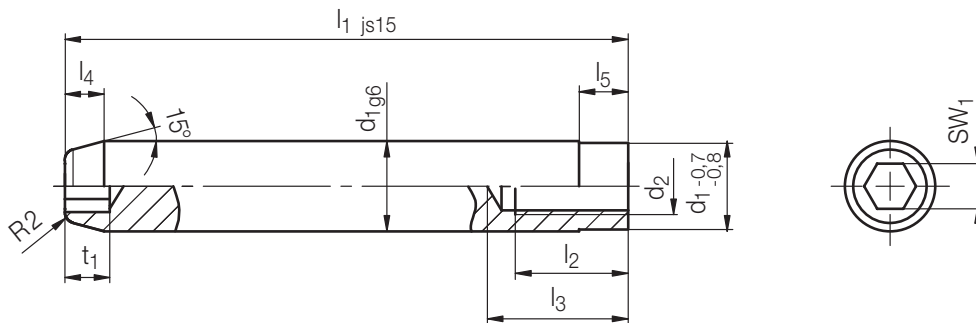
Z010/...

Schrägsäule
Angle pin
Doigt inciné

Mat.: ~ 1.0401



1



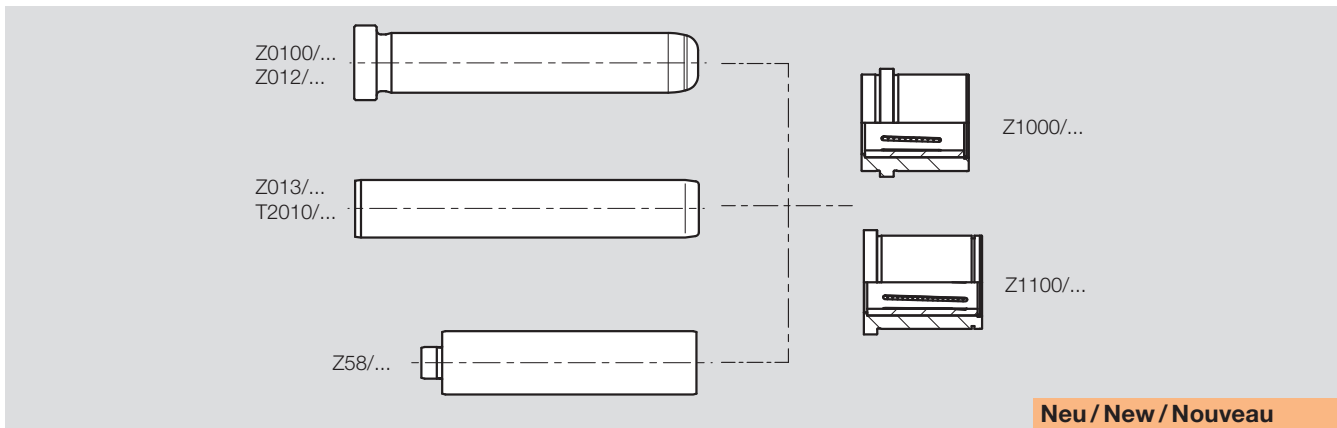
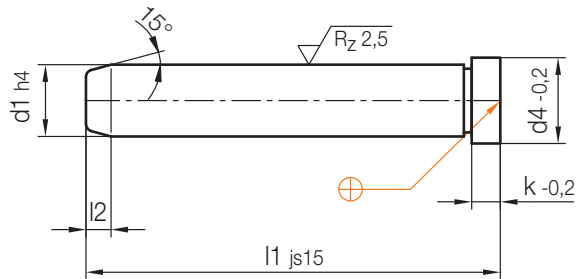
d ₂	l ₂	l ₃	l ₄	l ₅	SW ₁	t ₁	d ₁	l ₁	Nr./No.
M 6	10	15	4	5	5	5	10	60	Z010/10x 60
								80	80
								100	100
M 6	10	15	7	5	5	5	12	60	Z010/12x 60
								80	80
								100	100
								120	120
M 6	10	15	7	5	5	5	14	50	Z010/14x 50
								60	60
								67	67
								70	70
								75	75
								80	80
								90	90
								100	100
M 8	10	15	7	5	6	6	15	50	Z010/15x 50
								60	60
								70	70
								80	80
								90	90
M 8	12	18	7	5,5	6	6	16	80	Z010/16x 80
								90	90
								100	100
								118	118
								120	120
								132	132
								140	140
M10	15	22	7	6	8	8	18	60	Z010/18x 60
								70	70
								80	80
								90	90
								100	100
								125	125
								140	140
								170	170

d ₂	l ₂	l ₃	l ₄	l ₅	SW ₁	t ₁	d ₁	l ₁	Nr./No.
M10	15	22	7	7	8	8	20	60	Z010/20x 60
								70	70
								80	80
								90	90
								100	100
M10	15	22	7	7	8	8	22	70	Z010/22x 70
								80	80
								90	90
								100	100
								120	120
M12	18	25	7	7	10	10	24	70	Z010/24x 70
								80	80
								90	90
								100	100
								120	120
								140	140
								180	180
M16	18	25	7	7	14	14	30	80	Z010/30x 80
								90	90
								100	100
								120	120
								140	140
M16	18	25	7	7	14	14	32	80	Z010/32x 80
								90	90
								100	100
								120	120
								140	140

Z0100/...

Führungssäule
Guide pillar
Colonne de guidage

Mat.: ≈ 1.0401/720 HV 30
DIN ISO 8404-A



Neu / New / Nouveau

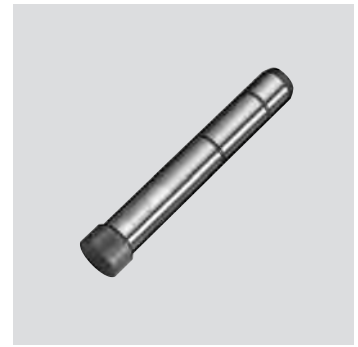
k	l2	r1	d4	d1	l1	Nr./No.		
3	4	9	12	9	60	Z0100/ 9x 60		
					80	80		
					100	100		
					120	120		
6	7	20	16	12	60	Z0100/12x 60		
					80	80		
					100	100		
					120	120		
					140	140		
					160	160		
8	7	20	18	14	60	Z0100/14x 60		
					80	80		
					100	100		
					120	120		
			22	18	18	18	80	Z0100/18x 80
							100	100
							120	120
							140	140
					160	160		
					180	180		
					200	200		
					240	240		

k	l2	r1	d4	d1	l1	Nr./No.		
15	7	20	28	24	100	Z0100/24x100		
					120	120		
					140	140		
					160	160		
					180	180		
					200	200		
			36	30	100	Z0100/30x100		
					120	120		
					160	160		
					200	200		
					240	240		
					300	300		
						360	360	
						32	100	Z0100/32x100
							120	120
							160	160
							200	200
						240	240	
300	300							
360	360							

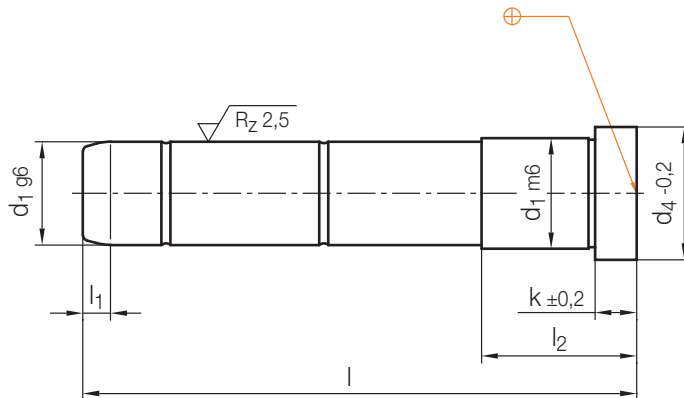
Z011/...

Führungssäule
Guide pillar
Colonne de guidage

Mat.: ≈ 1.0401/720 HV 30



1



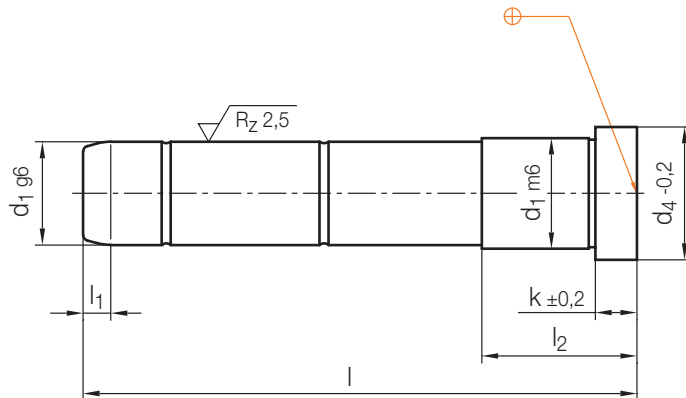
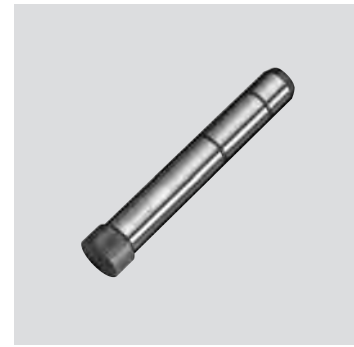
l_1	k	d_4	l_2	d_1	l	Nr./No.
4	3	12	17	10	40	Z011/10x 40
					60	60
			22		80	80
			27		100	100
7	6	16	17	12	60	Z011/12x 60
			22		80	80
			27		100	100
			36		120	120
					140	140
					160	160
7	8	18	17	14	60	Z011/14x 60
			22		80	80
			27		100	100
			36		120	120
			46		140	140
					160	160
7	8	20	22	16	60	Z011/16x 60
			27		80	80
					100	100
			36		120	120
			46		140	140
					160	160

l_1	k	d_4	l_2	d_1	l	Nr./No.
7	8	22	27	18	80	Z011/18x 80
					100	100
			36		120	120
			46		140	140
					160	160
			56		180	180
					200	200
					220	220
7	8	24	27	20	80	Z011/20x 80
					100	100
			36		120	120
			46		140	140
					160	160
			56		180	180
					200	200
					220	220
7	15	26	36	22	100	Z011/22x100
			46		120	120
					140	140
			56		160	160
					180	180
			76		200	200

Z011/...

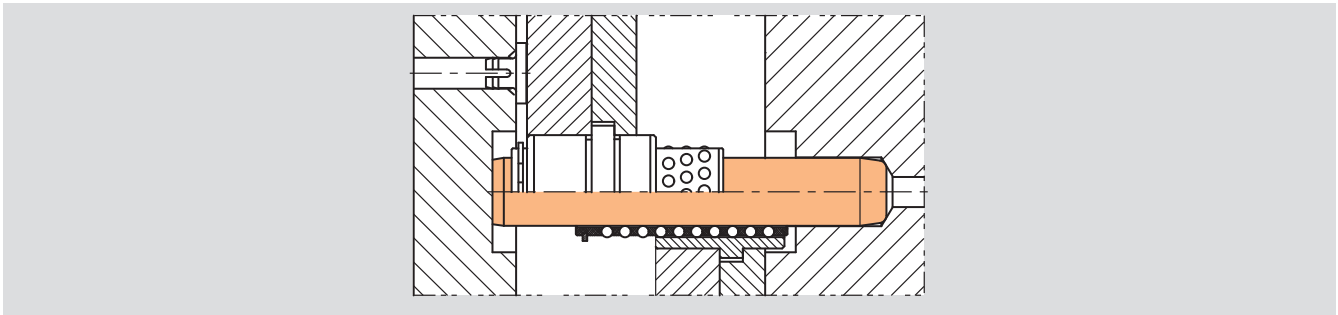
Führungssäule
Guide pillar
Colonne de guidage

Mat.: ≈ 1.0401/720 HV 30



l_1	k	d_4	l_2	d_1	l	Nr./No.
7	15	26	76	22	220	Z011/22x220
					240	240
					280	280
7	15	28	36	24	100	Z011/24x100
					120	120
			140		140	
			56		160	160
					180	180
					200	200
					220	220
			7		15	36
140	140					
160	160					
180	180					
200	200					
220	220					
240	240					
7	15	36	76	30	280	280
					320	320
					360	360

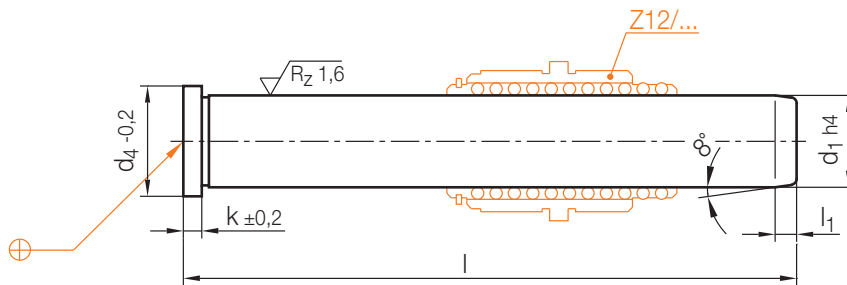
l_1	k	d_4	l_2	d_1	l	Nr./No.
7	15	36	56	32	120	Z011/32x120
					140	140
					160	160
					180	180
					200	200
					220	220
					240	240
7	15	36	76	32	280	280
					320	320
					360	360
10	15	48	56	40	200	Z011/40x200
					240	240
					300	300
10	15	48	76	40	360	360
10	15	58	56	50	200	Z011/50x200
					240	240
			96		300	300
					360	360
12	20	68	76	60	240	Z011/60x240
					300	300
			96		360	360
					116	



Z012/...

Führungssäule
Guide pillar
Colonne de guidage

Mat.: $\approx 1.1213/62 \pm 2$ HRC



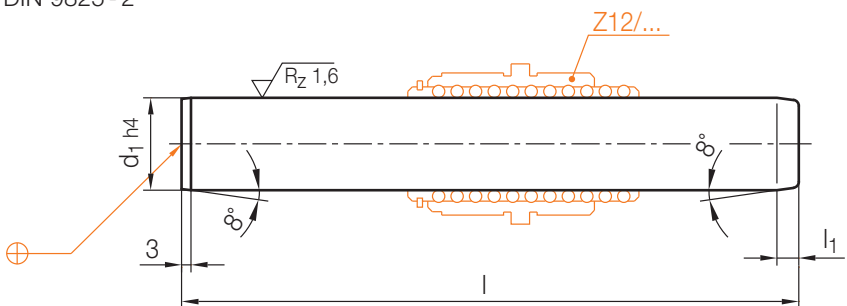
l_1	d_4	k	d_1	l	Nr./No.
4	16	4	12	80	Z012/12x 80
				100	100
				120	120
7	22	6	18	120	Z012/18x120
				140	140

l_1	d_4	k	d_1	l	Nr./No.
7	22	6	18	160	Z012/18x160
				160	Z012/30x160
				200	200
				240	240

Z013/...

Führungssäule
Guide pillar
Colonne de guidage

Mat.: $\approx 1.0501/62 \pm 2$ HRC
DIN 9825 - 2



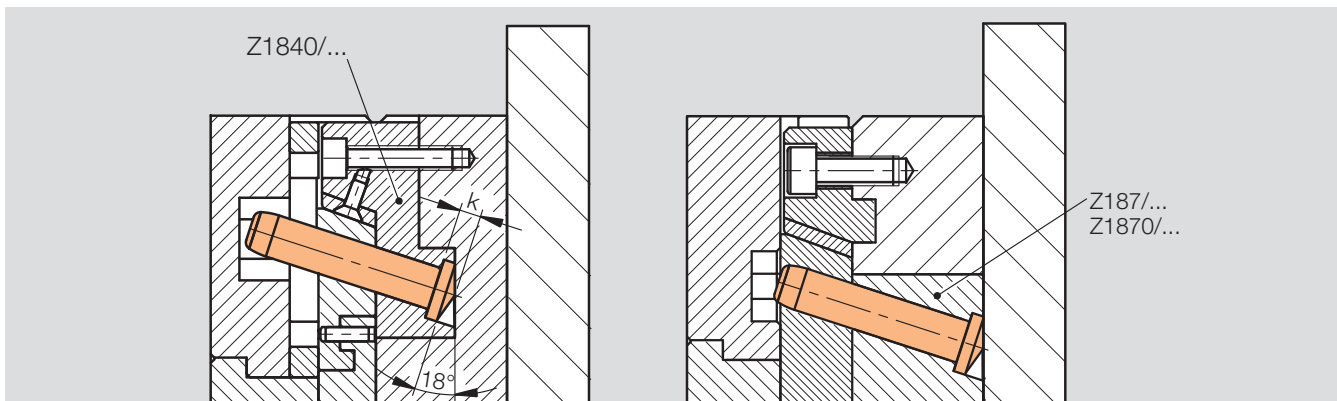
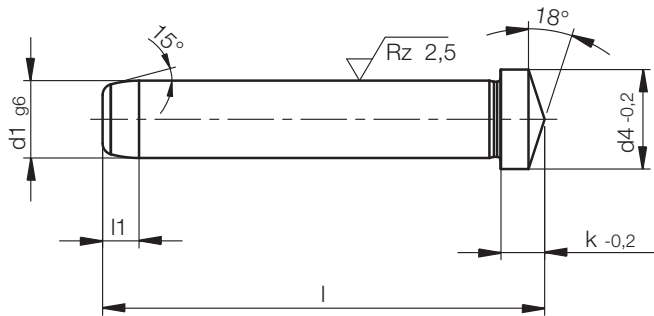
l_1	d_1	l	Nr./No.
6	12	100	Z013/12x100
		125	125
7	18	125	Z013/18x125
		160	160

l_1	d_1	l	Nr./No.
7	30	160	Z013/30x160
		240	240

Z016/...

Schrägsäule, 18°Kegel
 Angled pillar, 18° tapered
 Doigt incliné, cône à 18°

Mat. : ≈ 1.0401 / 720 HV 30
 DIN ISO 8404-A



k	l1	d4	d1	l	Nr./No.	
3	4	12	10	40	Z016/10x 40	
				60	60	
				80	80	
				100	100	
				120	120	
6	7	16	12	60	Z016/12x 60	
				80	80	
				100	100	
				120	120	
				140	140	
				160	160	
8	18	18	14	60	Z016/14x 60	
				80	80	
				100	100	
				120	120	
				140	140	
				160	160	
	20	20	20	16	100	Z016/16x100
					120	120
					140	140
					160	160
				180	180	
				200	200	

k	l1	d4	d1	l	Nr./No.				
8	7	22	18	100	Z016/18x100				
				120	120				
				140	140				
				160	160				
				180	180				
				200	200				
				24	24	24	20	100	Z016/20x100
								120	120
								140	140
								160	160
				180	180				
				200	200				
				240	240				

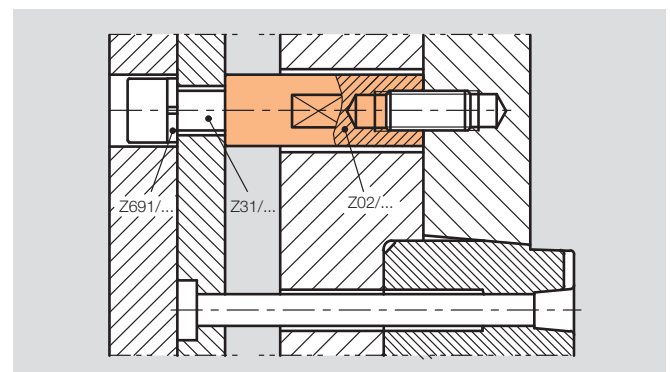
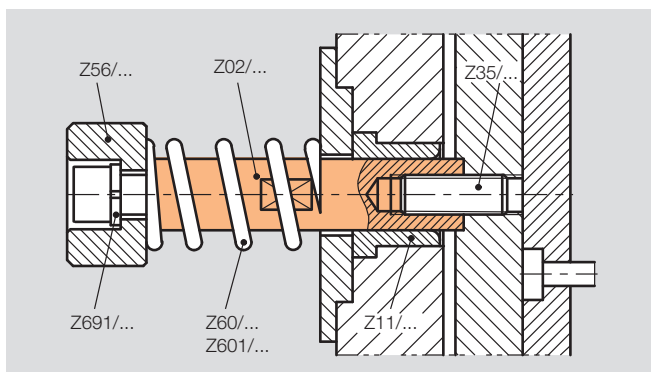
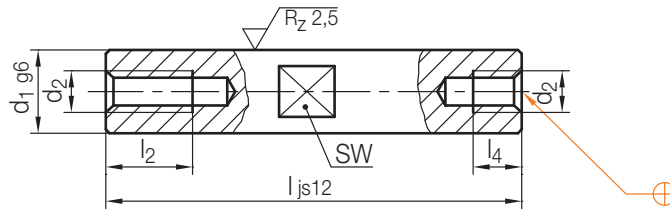
Z02/...

Auswerferbolzen
Ejector rod
Queure d'éjection

Mat.: ≈ 1.0401 / 690 + 70 HV 30



1



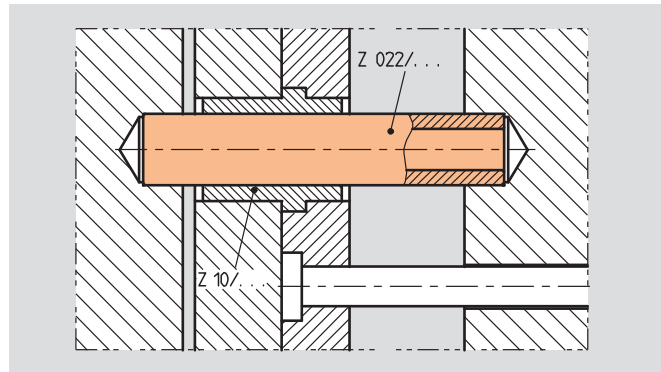
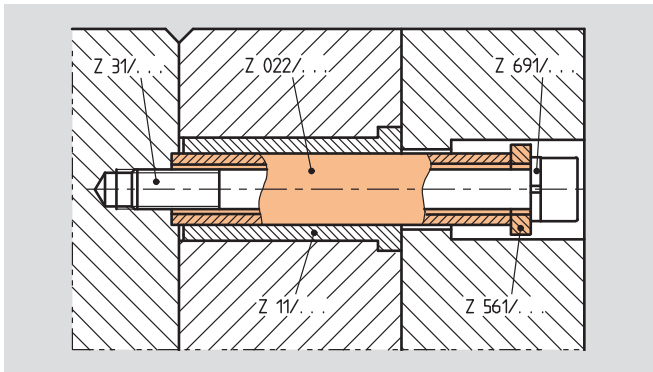
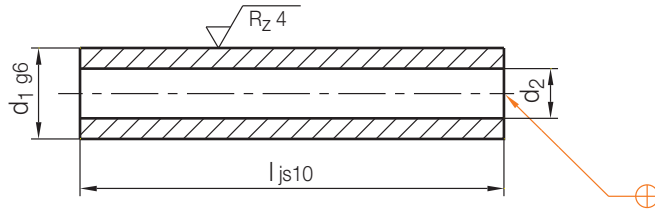
SW	l ₄	l ₂	d ₂	d ₁	l	Nr./No.
9	9	16	M 6	10	60	Z02/10x 60
					70	70
					80	80
					100	100
					120	120
					140	140
12	11	16	M 8	14	60	Z02/14x 60
					70	70
					80	80
					100	100
					120	120
					140	140
14	12	20	M10	18	100	Z02/18x100
					120	120
					140	140
					160	160
					180	180
					200	200

SW	l ₄	l ₂	d ₂	d ₁	l	Nr./No.
14	12	20	M10	18	220	Z02/18x220
					240	240
					240	240
16	14	25	M12	20	100	Z02/20x100
					120	120
					140	140
					160	160
					180	180
					200	200
19	14	25	M12	24	120	Z02/24x120
					140	140
					160	160
					180	180
					200	200
					240	240
24	16	30	M16	30	180	Z02/30x180
					220	220
					260	260
					260	260
					300	300

Z022/...

Führungshülse
Guide sleeve
Douille de guidage

Mat.: ≈ 1.0715/580 + 40 HV 30



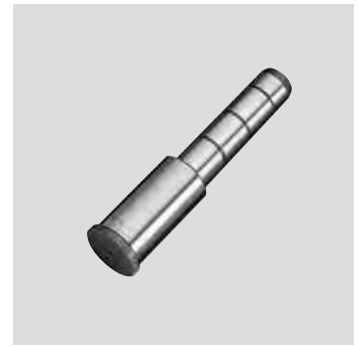
d ₂	d ₁	l	Nr./No.
6,2	10	20	Z022/10x 20
		30	30
		40	40
		50	50
		60	60
		70	70
		80	80
		100	100
		120	120
		140	140
8,3	14	30	Z022/14x 30
		40	40
		50	50
		60	60
		70	70
		80	80
		100	100
		120	120
		140	140
		160	160
10,4	18	40	Z022/18x 40
		60	60
		80	80
		100	100

d ₂	d ₁	l	Nr./No.		
10,4	18	120	Z022/18x120		
		140	140		
		160	160		
		180	180		
		200	200		
		220	220		
		240	240		
		12,5	24	60	Z022/24x 60
				80	80
				100	100
120	120				
140	140				
160	160				
16,5	30	80	Z022/30x 80		
		100	100		
		120	120		
		140	140		
		160	160		
		180	180		
		220	220		
		260	260		
		300	300		

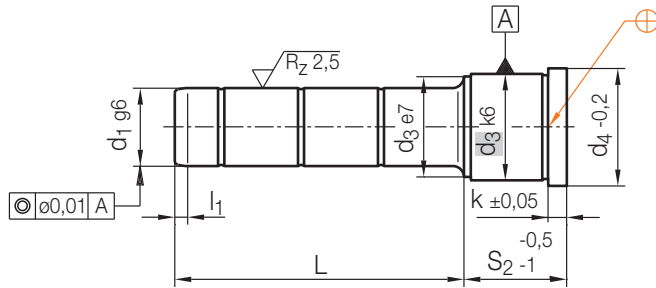
Z03/...

Führungssäule, ohne Zentrieransatz
 Guide pillar, shouldered
 Colonne de guidage, sans plot de centrage

Mat.: ≈ 1.0401/690 + 70 HV 30
 ≈ DIN 16761-B



1

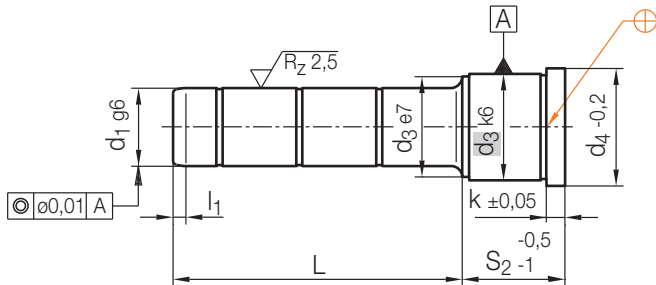


							∅		∅	
l_1	k	d_3	d_4	S_2	d_1	L	Nr./No.	d_1	Nr./No.	
4	3	14	16	9	9	20	Z03/ 9/ 9x 20	10	Z03/ 9/10x 20	
						35	35		35	
						50	50		50	
				12	9	25	Z03/12/ 9x 25	10	Z03/12/10x 25	
						45	45		45	
						65	65		65	
4	3	14	16	17	9	20	Z03/17/ 9x 20	10	Z03/17/10x 20	
						30	30		30	
						22	9		25	Z03/22/ 9x 25
				35	35	35				
				55	55	55				
								27	9	30
50	50	50								
36	9	25	Z03/36/ 9x 25							10
45	45	45								
46	9	30	Z03/46/ 9x 30					10	Z03/46/10x 30	
		45	45							
4	3	14	16	56	9	35	Z03/56/ 9x 35		10	Z03/56/10x 35
						60	60	60		
						66	9	45		Z03/66/ 9x 45
7	6	20	25	17	14	35	Z03/17/14x 35	15	Z03/17/15x 35	
						55	55		55	
						75	75		75	
						95	95		95	
7	6	20	25	22	14	20	Z03/22/14x 20	15	Z03/22/15x 20	
						35	35		35	
						40	40		40	
						45	45		45	
						50	50		50	
						55	55		55	
						65	65		65	
						70	70		70	
						90	90		90	
						110	110		110	
7	6	20	25	27	14	20	Z03/27/14x 20	15	Z03/27/15x 20	
						35	35		35	
						40	40		40	
						45	45		45	
						55	55		55	
						65	65		65	

Z03/...

Führungssäule, ohne Zentrieransatz
 Guide pillar, shouldered
 Colonne de guidage, sans plot de centrage

Mat.: ≈ 1.0401/690 + 70 HV 30
 ≈ DIN 16761-B



							∅			∅		
l_1	k	d_3	d_4	S_2	d_1	L	Nr./No.		d_1	Nr./No.		
7	6	20	25	27	14	85	Z03/ 27/14x	85	15	Z03/ 27/15x	85	
						105		105				
7	6	20	25	36	14	20	Z03/ 36/14x	20	15	Z03/ 36/15x	20	
						35		35				
						40		40				
						45		45				
						55		55				
						65		65				
						75		75				
						95		95				
7	6	20	25	46	14	20	Z03/ 46/14x	20	15	Z03/ 46/15x	20	
						35		35				
						45		45				
						65	Z03/ 46/14x	65		Z03/ 46/15x	65	
						85		85				
				105		105						
				20	Z03/ 56/14x	20	15	Z03/ 56/15x	20			
				35		35						
				55		55						
				75		75						
95		95										
7	6	20	25	66	14	55	Z03/ 66/14x	55	15	Z03/ 66/15x	55	
						65		65				
						95		95				
				55	Z03/ 76/14x	55	15	Z03/ 76/15x	55			
				95		95						
				55	Z03/ 86/14x	55		15	Z03/ 86/15x	55		
95		95										
7	6	20	25	96	14	55	Z03/ 96/14x	55	15	Z03/ 96/15x	55	
						95		95				
7	6	26	31	17	18	75	Z03/116/14x	75	20	Z03/ 17/20x	35	
						35	Z03/ 17/18x	35				
7	6	26	31	22	18	55		55		55		
						75		75		75		
						95		95		95		
						20	Z03/ 22/18x	20	20	Z03/ 22/20x	20	
						35		35				
40		40		40								
45		45		45								
50		50		50								

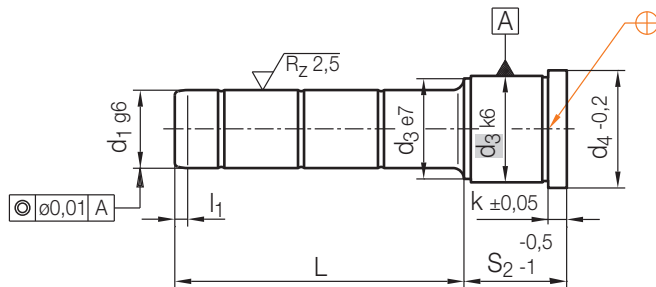
Z03/...

Führungssäule, ohne Zentrieransatz
 Guide pillar, shouldered
 Colonne de guidage, sans plot de centrage

Mat.: ≈ 1.0401/690 + 70 HV 30
 ≈ DIN 16761-B



1

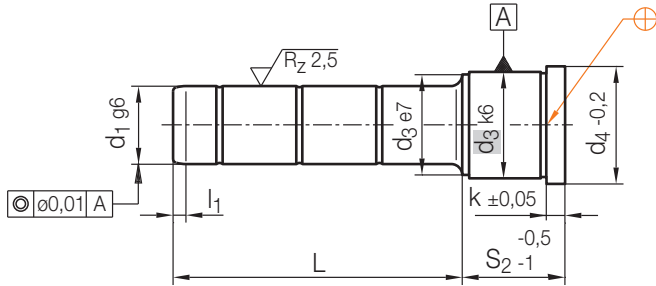
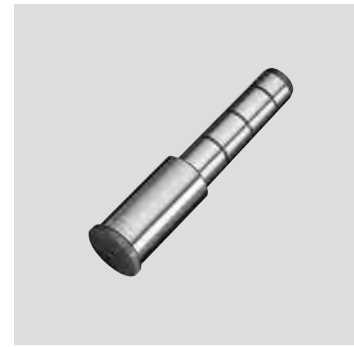


						∅		∅	
l_1	k	d_3	d_4	S_2	d_1	L	Nr./No.	d_1	Nr./No.
7	6	26	31	22	18	55	Z03/22/18x 55	20	Z03/22/20x 55
						60	60		60
						65	65		65
						70	70		70
						80	80		80
						85	85		85
						115	115		115
7	6	26	31	27	18	20	Z03/27/18x 20	20	Z03/27/20x 20
						35	35		35
						40	40		40
						45	45		45
						50	50		50
						55	55		55
						60	60		60
						65	65		65
						70	70		70
						80	80		80
						85	85		85
						105	105		105
7	6	26	31	36	18	20	Z03/ 36/18x 20	20	Z03/ 36/20x 20
						35	35		35
						40	40		40
						45	45		45
						50	50		50
						55	55		55
						60	60		60
						65	65		65
						70	70		70
						75	75		75
						80	80		80
						95	95		95
						115	115		115
135	135	135							
7	6	26	31	46	18	20	Z03/ 46/18x 20	20	Z03/ 46/20x 20
						45	45		45
						65	65		65
						85	85		85
						105	105		105
						135	135		135

Z03/...

Führungssäule, ohne Zentrieransatz
 Guide pillar, shouldered
 Colonne de guidage, sans plot de centrage

Mat.: ≈ 1.0401/690 + 70 HV 30
 ≈ DIN 16761-B

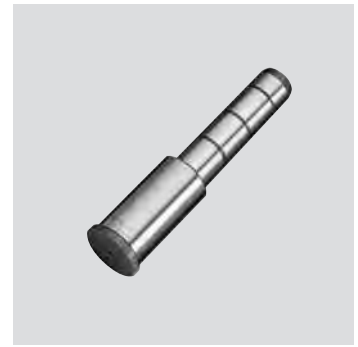


							∅			∅						
l_1	k	d_3	d_4	S_2	d_1	L	Nr./No.		d_1	Nr./No.						
7	6	26	31	46	18	165	Z03/ 46/18x165		20	Z03/ 46/20x165						
							56	18		20	Z03/ 56/18x 20		20	Z03/ 56/20x 20		
										35				35		
										55				55		
										75				75		
										95				95		
		66	18	55	Z03/ 66/18x 55		20	Z03/ 66/20x 55								
				75				75								
				95				95								
		7	6	26	31	76	18	55	Z03/ 76/18x 55		20	Z03/ 76/20x 55				
									86	18		75			75	
												95			95	
55	Z03/ 86/18x 55											20	Z03/ 86/20x 55			
75													75			
95													95			
96	18			55	Z03/ 96/18x 55		20	Z03/ 96/20x 55								
				95				95								
				116	Z03/116/18x115			Z03/116/20x115								
136	Z03/136/18x135			Z03/136/20x135												
7	6			30	35	17	22	35	Z03/ 17/22x 35		24	Z03/ 17/24x 35				
									22	22		55			55	
		75										75				
		35	Z03/ 22/22x 35									24	Z03/ 22/24x 35			
		55											55			
		75											75			
		27	22			105			105							
						130			130							
						25	Z03/ 27/22x 25		24	Z03/ 27/24x 25						
		45				45										
		50				50										
		60				60										
		65			65											
		70			70											
		80			80											
		85			85											
		105			105											
		7	6	30	35	36	22	25	Z03/ 36/22x 25		24	Z03/ 36/24x 25				
									45			45				
										165				165		

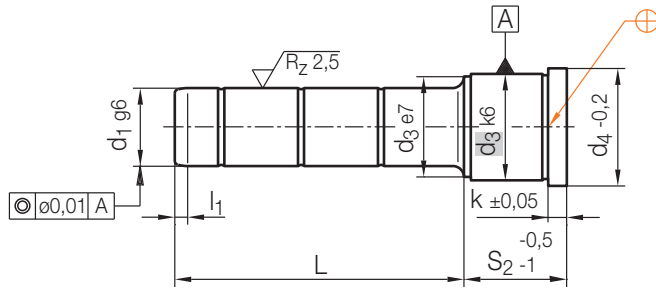
Z03/...

Führungssäule, ohne Zentrieransatz
 Guide pillar, shouldered
 Colonne de guidage, sans plot de centrage

Mat.: ≈ 1.0401/690 + 70 HV 30
 ≈ DIN 16761-B



1

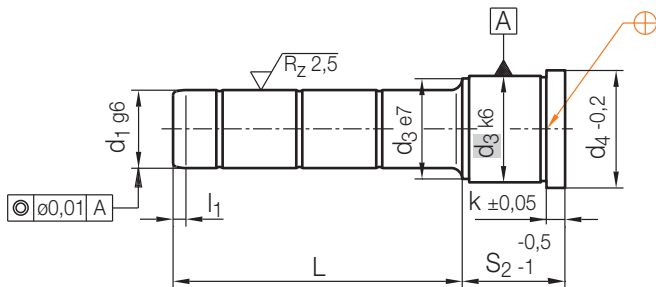


						∅			∅					
l_1	k	d_3	d_4	S_2	d_1	L	Nr./No.	d_1	Nr./No.					
7	6	30	35	36	22	50	Z03/ 36/22x 50	24	Z03/ 36/24x 50					
						55	55		55					
						60	60		60					
						70	70		70					
						75	75		75					
						80	80		80					
						95	95		95					
						115	115		115					
						135	135		135					
						165	165		165					
7	6	30	35	46	22	25	Z03/46/22x 25	24	Z03/46/24x 25					
						45	45		45					
						50	50		50					
						60	60		60					
						65	65		65					
						70	70		70					
						80	80		80					
						85	85		85					
						105	105		105					
						125	125		125					
165	165	165												
7	6	30	35	56	22	25	Z03/56/22x 25	24	Z03/56/24x 25					
						45	45		45					
						55	55		55					
						75	75		75					
						95	95		95					
				115	115	115								
				165	165	165								
							66	22	55	Z03/ 66/22x 55	24	Z03/ 66/24x 55		
									75	75		75		
									95	95		95		
7	6	30	35	76	22	25	Z03/ 76/22x 25	24	Z03/ 76/24x 25					
						45	45		45					
						55	55		55					
						75	75		75					
						95	95		95					
				115	115	115								
							86	22	55	Z03/ 86/22x 55	24	Z03/ 86/24x 55		
									75	75		75		
									95	95		95		

Z03/...

Führungssäule, ohne Zentrieransatz
 Guide pillar, shouldered
 Colonne de guidage, sans plot de centrage

Mat.: ≈ 1.0401/690 + 70 HV 30
 ≈ DIN 16761-B



							∅			∅					
l_1	k	d_3	d_4	S_2	d_1	L	Nr./No.		d_1	Nr./No.					
7	6	30	35	96	22	55	Z03/ 96/22x 55		24	Z03/ 96/24x 55					
						75	75			75					
						95	95			95					
						116	22	75		Z03/116/22x 75		24	Z03/116/24x 75		
								115		115			115		
				155	155		155								
				136	22	135	Z03/136/22x135		24	Z03/136/24x135					
						156	Z03/156/22x155			24	Z03/156/24x155				
				7	6	42	47	22	30		35	Z03/ 22/30x 35		32	Z03/ 22/32x 35
										75	75		75		
130	130		130												
27	30	45	Z03/ 27/30x 45							32	Z03/ 27/32x 45				
		65	65								65				
		105	105					105							
165	165		165												
36	30	55	Z03/ 36/30x 55					32	Z03/ 36/32x 55						
		75	75						75						
		95	95						95						
		115	115		115										
		155	155		155										
46	30	45	Z03/ 46/30x 45		32	Z03/ 46/32x 45									
		65	65			65									
		85	85			85									
		105	105			105									
		125	125			125									
		165	165			165									
		7	6	42		47	56	30	55	Z03/ 56/30x 55		32	Z03/ 56/32x 55		
75	75				75										
95	95				95										
115	115				115										
135	135				135										
175	175				175										
66	30				55		Z03/ 66/30x 55		32	Z03/ 66/32x 55					
					75		75			75					
					95		95			95					
					115		115			115					
		135	135		135										
175	175		175												
76	30	55	Z03/ 76/30x 55		32	Z03/ 76/32x 55									
		75	75			75									

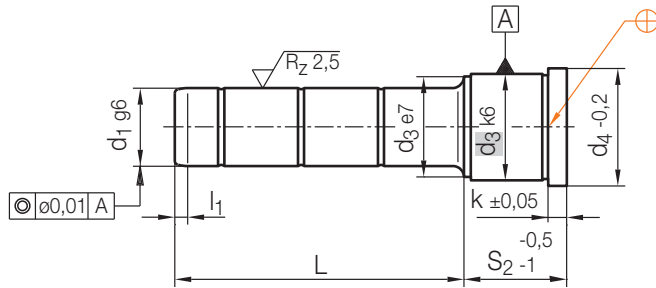
Z03/...

Führungssäule, ohne Zentrieransatz
 Guide pillar, shouldered
 Colonne de guidage, sans plot de centrage

Mat.: ≈ 1.0401/690 + 70 HV 30
 ≈ DIN 16761-B



1

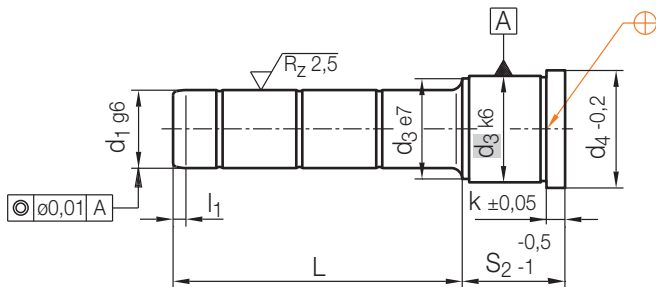


l_1	k	d_3	d_4	S_2	d_1	L	Nr./No.	d_1	Nr./No.				
7	6	42	47	76	30	95	Z03/ 76/30x 95	32	Z03/ 76/32x 95				
						115	115		115				
						155	155		155				
					86	30	55	Z03/ 86/30x 55	32	Z03/ 86/32x 55			
							75	75		75			
							95	95		95			
				96	30	55	Z03/ 96/30x 55	32	Z03/ 96/32x 55				
						75	75		75				
						95	95		95				
						115	115		115				
						155	155		155				
						155	155		155				
				7	6	42	47	116	30	75	Z03/116/30x 75	32	Z03/116/32x 75
										115	115		115
										155	155		155
136	30	95	Z03/136/30x 95					32	Z03/136/32x 95				
		115	115						115				
		155	155						155				
156	30	115	Z03/156/30x115					32	Z03/156/32x115				
		155	155						155				
176	30	135	Z03/176/30x135					32	Z03/176/32x135				
		175	175						175				
196	30	155	Z03/196/30x155					32	Z03/196/32x155				
		195	195						195				
10	10	54	60					36	40	75	Z03/ 36/40x 75	42	Z03/ 36/42x 75
										135	135		135
								46	40	95	Z03/ 46/40x 95	42	Z03/ 46/42x 95
				165	165	165							
				165	165	165							
				56	40	75	Z03/ 56/40x 75	42	Z03/ 56/42x 75				
						115	115		115				
						155	155		155				
						195	195		195				
				66	40	75	Z03/ 66/40x 75	42	Z03/ 66/42x 75				
						135	135		135				
				76	40	75	Z03/ 76/40x 75	42	Z03/ 76/42x 75				
						115	115		115				
						175	175		175				
				86	40	75	Z03/ 86/40x 75	42	Z03/ 86/42x 75				
						135	135		135				

Z03/...

Führungssäule, ohne Zentrieransatz
 Guide pillar, shouldered
 Colonne de guidage, sans plot de centrage

Mat.: ≈ 1.0401/690 + 70 HV 30
 ≈ DIN 16761-B



							∅			∅			
l_1	k	d_3	d_4	S_2	d_1	L	Nr./No.		d_1	Nr./No.			
10	10	54	60	96	40	75	Z03/ 96/40x 75	42	Z03/ 96/42x 75				
						115	115		115	115			
						155	155		155	155			
						116	95		Z03/116/40x 95	42	Z03/116/42x 95		
							135		135		135	135	
							195		195		195	195	
				136	95	Z03/136/40x 95	42	Z03/136/42x 95					
					135	135		135	135				
					215	215		215	215				
				156	115	Z03/156/40x115	42	Z03/156/42x115					
					155	155		155	155				
					215	215		215	215				
		176	135	Z03/176/40x135	42	Z03/176/42x135							
			155	155		155	155						
			175	175		175	175						
		196	155	Z03/196/40x155	42	Z03/196/42x155							
			195	195		195	195						
			235	235		235	235						
		10	10	66	72	96	50	115	Z03/ 96/50x115				
								135	116/50x135				
								135	136/50x135				
								155	156/50x155				
								196	196/50x175				
								175	196/50x175				
10	20	80	86	96	60	115	Z03/ 96/60x115						
						135	116/60x135						
						135	136/60x135						
						155	156/60x155						
						196	196/60x175						
						246	246/60x195						

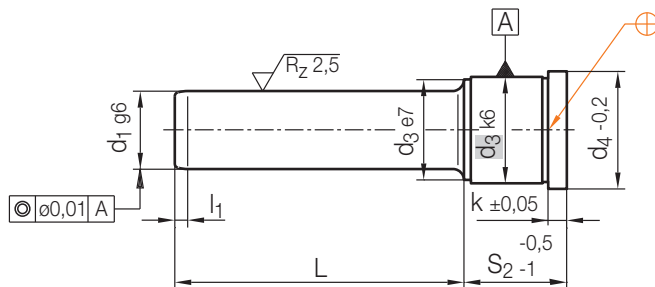
Z031/...

Führungssäule, ohne Zentrieransatz
 Guide pillar, shouldered
 Colonne de guidage, sans plot de centrage

Mat.: ≈ 1.0401 / DLC beschichtet
 with DLC coating
 avec revêtement DLC



1



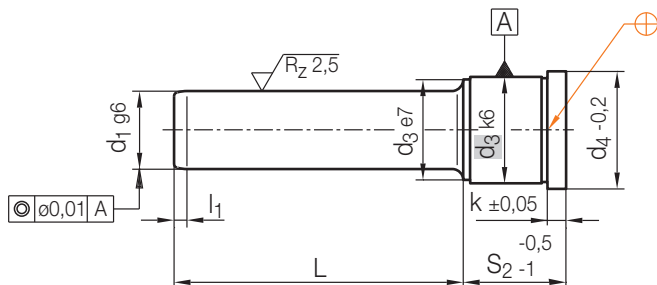
Neu / New / Nouveau

l_1	k	d_3	d_4	S_2	d_1	L	Nr./No.	d_1	Nr./No.					
4	3	14	16	9	9	50	Z031/ 9x 9x 50	10	Z031/ 9x10x 50					
						25	Z031/12x 9x 25		25	Z031/12x10x 25				
						45	45		45	45				
				17	9	20	30	20	Z031/17x 9x 20	20	Z031/17x10x 20			
								30	30	30	30			
								22	Z031/22x 9x 25	22	Z031/22x10x 25			
				22	9	25	35	25	Z031/22x 9x 25	25	Z031/22x10x 25			
								35	35	35	35			
								55	55	55	55			
				27	9	30	50	30	Z031/27x 9x 30	30	Z031/27x10x 30			
								50	50	50	50			
								36	Z031/36x 9x 25	36	Z031/36x10x 25			
				46	9	30	45	30	Z031/46x 9x 30	30	Z031/46x10x 30			
								45	45	45	45			
								56	Z031/56x 9x 60	56	Z031/56x10x 60			
				7	6	20	25	17	14	35	Z031/17x14x 35	15	Z031/17x15x 35	
										55	55		55	55
										22	Z031/22x14x 20		22	Z031/22x15x 20
22	14	20	35					20	Z031/22x14x 20	20	Z031/22x15x 20			
								35	35	35	35			
								45	45	45	45			
								55	55	55	55			
								65	65	65	65			
								70	70	70	70			
27	14	20	85					20	Z031/27x14x 20	20	Z031/27x15x 20			
								35	35	35	35			
								45	45	45	45			
								55	55	55	55			
								65	65	65	65			
								85	85	85	85			
36	14	20	105					20	Z031/36x14x 20	20	Z031/36x15x 20			
								35	35	35	35			
								45	45	45	45			
				55	55	55	55							
				65	65	65	65							
				75	75	75	75							
95	95	95	95											

Z031/...

Führungssäule, ohne Zentrieransatz
 Guide pillar, shouldered
 Colonne de guidage, sans plot de centrage

Mat.: ≈ 1.0401 / DLC beschichtet
 with DLC coating
 avec revêtement DLC



Neu / New / Nouveau

							∅			∅					
l_1	k	d_3	d_4	S_2	d_1	L	Nr./No.		d_1	Nr./No.					
7	6	20	25	46	14	20	Z031/46x14x	20	15	Z031/46x15x	20				
						35		35							
						45		45							
						65	Z031/46x14x	65		Z031/46x15x	65				
						85		85							
				105		105									
				56	14	20	Z031/56x14x	20	15	Z031/56x15x	20				
				35		35									
				55		55									
				75		75									
		95		95											
		66	14	55	Z031/66x14x	55	15	Z031/66x15x	55						
		95		95											
		76	14	55	Z031/76x14x	55	15	Z031/76x15x	55						
		95		95											
		86	14	55	Z031/86x14x	55	15	Z031/86x15x	55						
		95		95											
		7	6	26	31	17	18	75	Z031/17x18x	75	20	Z031/17x20x	75		
								22	18	20	Z031/22x18x	20	20	Z031/22x20x	20
								35		35					
45								45							
55								55	20	55					
65						65									
70						70									
80						80									
85						85									
115						115									
27	18			20	Z031/27x18x	20	20	Z031/27x20x	20						
35				35											
45				45											
50				50											
55				55											
60				60											
65				65											
70				70											
80				80											
85				85											
105		105													
125		125													

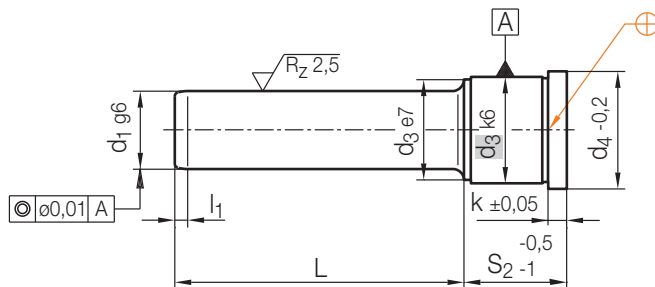
Z031/...

Führungssäule, ohne Zentrieransatz
 Guide pillar, shouldered
 Colonne de guidage, sans plot de centrage

Mat.: ≈ 1.0401 / DLC beschichtet
 with DLC coating
 avec revêtement DLC



1



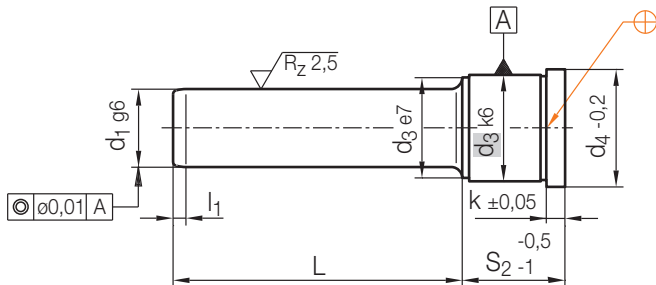
Neu / New / Nouveau

							∅			∅										
l ₁	k	d ₃	d ₄	S ₂	d ₁	L	Nr./No.		d ₁	Nr./No.										
7	6	26	31	36	18	20	Z031/36x18x	20	20	Z031/36x20x	20									
						35		35												
						45		45												
						50		50												
						55		55												
						60		60												
						65		65												
						70		70												
						75		75												
						80		80												
						95		95												
						115		115												
						135		135												
						46	18	31		36	46	20	Z031/46x18x	20	20	Z031/46x20x	20			
		45		45																
		65		65																
		85		85																
		105		105																
		135		135																
		165		165																
		56	18	31	36	56	20		Z031/56x18x		20	20	Z031/56x20x	20						
		35							35											
		55							55											
		75							75											
		95				95														
		66	18			31	36		66		55	Z031/66x18x	55	20	Z031/66x20x	55				
		75										75								
		95								95										
76	18	31	36					76	55	Z031/76x18x	55	20	Z031/76x20x	55						
75										75										
95										95										
86	18							31	36	86	55	Z031/86x18x	55	20	Z031/86x20x	55				
95												95								
96	18									31	36	96	55	Z031/96x18x	55	20	Z031/96x20x	55		
95					95															
7	6			30	35							17	22	35	Z031/17x22x	35	24	Z031/17x24x	35	
														55		55				
														35	Z031/22x22x	35		24	Z031/22x24x	35
														55		55				

Z031/...

Führungssäule, ohne Zentrieransatz
 Guide pillar, shouldered
 Colonne de guidage, sans plot de centrage

Mat.: ≈ 1.0401 / DLC beschichtet
 with DLC coating
 avec revêtement DLC



Neu / New / Nouveau

l_1	k	d_3	d_4	S_2	d_1	L	Nr./No.	d_1	Nr./No.				
7	6	30	35	22	22	75	Z031/22x22x 75	24	Z031/22x24x 75				
						25	Z031/27x22x 25		Z031/27x24x 25				
						45	45		45				
						50	50		50				
						65	65		65				
						70	70		70				
						85	85		85				
						105	105		105				
						125	125		125				
						165	165		165				
						36	22		25	Z031/36x22x 25	24	Z031/36x24x 25	
										45		45	
				55	55								
				70	70								
				75	75								
				80	80								
				95	95								
				115	115								
				135	135								
				165	165								
				46	22			25		Z031/46x22x 25		24	Z031/46x24x 25
										45			45
						50	50						
						60	60						
						65	65						
						70	70						
						85	85						
						105	105						
						125	125						
						165	165						
						56	22		25	Z031/56x22x 25	24		Z031/56x24x 25
										45			45
				55	55								
				75	75								
				95	95								
				115	115								
				66	22	55	Z031/66x22x 55	24	Z031/66x24x 55				
							75		75				
							75		75				

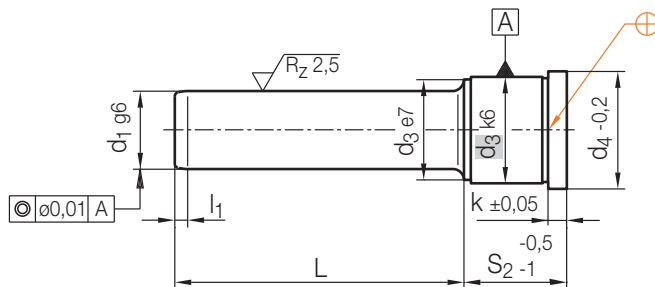
Z031/...

Führungssäule, ohne Zentrieransatz
 Guide pillar, shouldered
 Colonne de guidage, sans plot de centrage

Mat.: ≈ 1.0401 / DLC beschichtet
 with DLC coating
 avec revêtement DLC



1



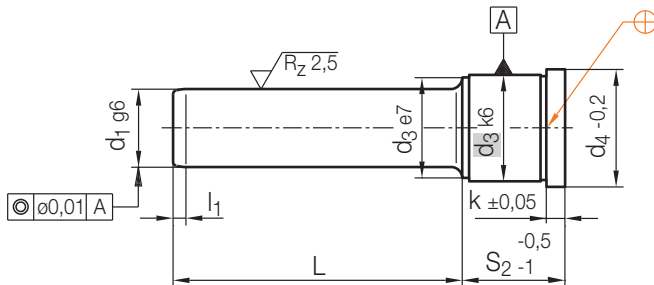
Neu / New / Nouveau

							∅			∅		
l ₁	k	d ₃	d ₄	S ₂	d ₁	L	Nr./No.		d ₁	Nr./No.		
7	6	30	35	66	22	95	Z031/ 66x22x 95	24	Z031/ 66x24x 95			
						76	Z031/ 76x22x 45		Z031/ 76x24x 45			
				86	22	55	55	55	55	55	55	55
							75	75	75	75	75	
							95	95	95	95	95	
							115	115	115	115	115	
							95	95	95	95	95	
							116	116	116	116	116	
		96	22	55	55	Z031/ 96x22x 55	24	Z031/ 96x24x 55				
					75	75		75	75			
					95	95		95	95			
					116	116		116	116			
		136	22	135	135	Z031/136x22x135	24	Z031/136x24x135				
					156	Z031/156x22x155		Z031/156x24x155				
		7	6	42	47	22	30	35	Z031/ 22x30x 75	32	Z031/ 22x32x 75	
								27	Z031/ 27x30x 45		Z031/ 27x32x 45	
36	30					55	55	Z031/ 36x30x 55	32	Z031/ 36x32x 55		
							75	75		75	75	
							95	95		95	95	
							115	115		115	115	
							155	155		155	155	
							165	165		165	165	
46	30					45	45	Z031/ 46x30x 45	32	Z031/ 46x32x 45		
							65	65		65	65	
							85	85		85	85	
							105	105		105	105	
				125	125		125	125				
				165	165		165	165				
56	30			55	55	Z031/ 56x30x 55	32	Z031/ 56x32x 55				
					75	75		75	75			
					95	95		95	95			
					115	115		115	115			
					135	135		135	135			
					175	175		175	175			

Z031/...

Führungssäule, ohne Zentrieransatz
 Guide pillar, shouldered
 Colonne de guidage, sans plot de centrage

Mat.: ≈ 1.0401 / DLC beschichtet
 with DLC coating
 avec revêtement DLC



Neu / New / Nouveau

							∅			∅		
l_1	k	d_3	d_4	S_2	d_1	L	Nr./No.		d_1	Nr./No.		
7	6	42	47	66	30	55	Z031/ 66x30x 55	32	Z031/ 66x32x 55	75	75	
						95	Z031/ 66x30x 95		95			
						115	Z031/ 66x30x 115		115			
						135	Z031/ 66x30x 135		135			
						175	Z031/ 66x30x 175		175			
						76	30		55		Z031/ 76x30x 55	32
					75	Z031/ 76x30x 75	75					
					95	Z031/ 76x30x 95	32	Z031/ 76x32x 95	115			
					115	Z031/ 76x30x 115	115					
					155	Z031/ 76x30x 155	155					
					86	30	55	Z031/ 86x30x 55	32	Z031/ 86x32x 55	75	
					75	Z031/ 86x30x 75	75					
				95	Z031/ 86x30x 95	95						
				115	Z031/ 86x30x 115	115						
				155	Z031/ 86x30x 155	155						
				96	30	55	Z031/ 96x30x 55	32	Z031/ 96x32x 55	75		
				75	Z031/ 96x30x 75	75						
				95	Z031/ 96x30x 95	95						
				115	Z031/ 96x30x 115	115						
				155	Z031/ 96x30x 155	155						
				116	30	75	Z031/116x30x 75	32	Z031/116x32x 75	115		
				115	Z031/116x30x 115	115						
				155	Z031/116x30x 155	155						
				136	30	95	Z031/136x30x 95	32	Z031/136x32x 95	115		
115	Z031/136x30x 115	115										
155	Z031/136x30x 155	155										
156	30	115	Z031/156x30x115	32	Z031/156x32x115	155						
155	Z031/156x30x155	155										
176	30	135	Z031/176x30x135	32	Z031/176x32x135	175						
175	Z031/176x30x175	175										
196	30	155	Z031/196x30x155	32	Z031/196x32x155	195						
195	Z031/196x30x195	195										
10	10	54	60	36	40	75	Z031/ 36x40x 75	42	Z031/ 36x42x 75	42	95	
						95	Z031/ 46x40x 95		Z031/ 46x42x 95			
						75	Z031/ 56x40x 75		Z031/ 56x42x 75			
						115	Z031/ 56x40x 115		115			
						155	Z031/ 56x40x 155		155			
						195	Z031/ 56x40x 195		195			

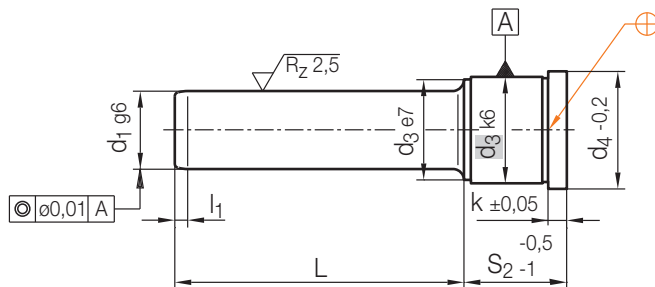
Z031/...

Führungssäule, ohne Zentrieransatz
 Guide pillar, shouldered
 Colonne de guidage, sans plot de centrage

Mat.: ≈ 1.0401 / DLC beschichtet
 with DLC coating
 avec revêtement DLC



1



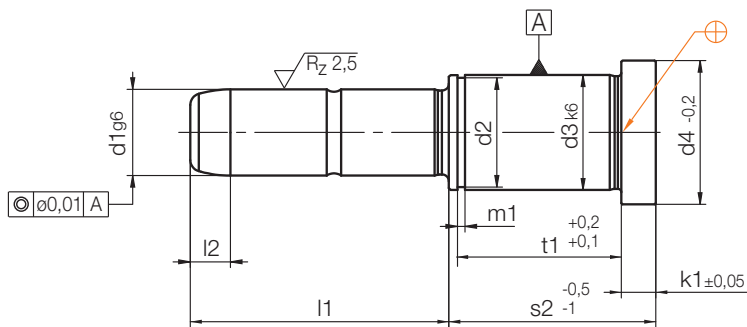
Neu / New / Nouveau

							∅			∅			
l ₁	k	d ₃	d ₄	S ₂	d ₁	L	Nr./No.		d ₁	Nr./No.			
10	10	54	60	66	40	75	Z031/ 66x40x 75	42	Z031/ 66x42x 75	135	135		
						135	Z031/ 66x40x 135		135				
						76	Z031/ 76x40x 115		42			Z031/ 76x42x 115	
				86	40	75	175	Z031/ 86x40x 175	42	175	Z031/ 86x42x 175		
							135	Z031/ 86x40x 135		135	Z031/ 86x42x 135		
							96	Z031/ 96x40x 75		42	Z031/ 96x42x 75		
				116	40	75	115	Z031/ 116x40x 115	42	115	Z031/ 116x42x 115		
							155	Z031/ 116x40x 155		155	Z031/ 116x42x 155		
							195	Z031/ 116x40x 195		195	Z031/ 116x42x 195		
				136	40	95	135	Z031/ 136x40x 135	42	135	Z031/ 136x42x 135		
							215	Z031/ 136x40x 215		215	Z031/ 136x42x 215		
							156	Z031/ 156x40x 115		42	Z031/ 156x42x 115		
		176	40	115	155	Z031/ 176x40x 155	42	155	Z031/ 176x42x 155				
					215	Z031/ 176x40x 215		215	Z031/ 176x42x 215				
					196	Z031/ 196x40x 135		42	Z031/ 196x42x 135				
		196	40	175	175	Z031/ 196x40x 175	42	175	Z031/ 196x42x 175				
					195	Z031/ 196x40x 195		195	Z031/ 196x42x 195				
					235	Z031/ 196x40x 235		235	Z031/ 196x42x 235				
		10	10	66	72	96	50	115	Z031/ 96x50x 115				
								116	116x50x 135				
								136	136x50x 135				
								156	156x50x 155				
								196	196x50x 175				
		10	20	80	86	96	60	115	Z031/ 96x60x 115				
116	116x60x 135												
136	136x60x 135												
156	156x60x 155												
196	196x60x 175												
246	246x60x 195												

Z032/...

Führungssäule, ohne Zentrieransatz
 Guide pillar, shouldered
 Colonne de guidage, sans plot de centrage

Mat.: ≈ 1.0401/690 + 70 HV 30
 ≈ DIN 16761-B



Neu / New / Nouveau

l2	k1	m1	d4	d3	d2	t1	s2	d1	l1	Nr. / No.	
7	6	1,3	25	20	19	27,3	36	15	45	Z032/36x15x45	
										55	36x15x55
						37,3				46	46x15x45
						47,3				56	56x15x35
										55	56x15x55
		31	26	24,5	27,3	36	20	45	Z032/36x20x45		
									65	36x20x65	
									45	46x20x45	
									65	46x20x65	
									35	56x20x35	
									55	56x20x55	
1,6	35	30	28,6	36,6	46	22	50	Z032/46x22x50			
							70	46x22x70			
							55	56x22x55			
							75	56x22x75			
							55	66x22x55			
							75	66x22x75			
						24	65	Z032/46x24x65			
							85	46x24x85			
							55	56x24x55			
							75	56x24x75			
							55	66x24x55			
							75	66x24x75			

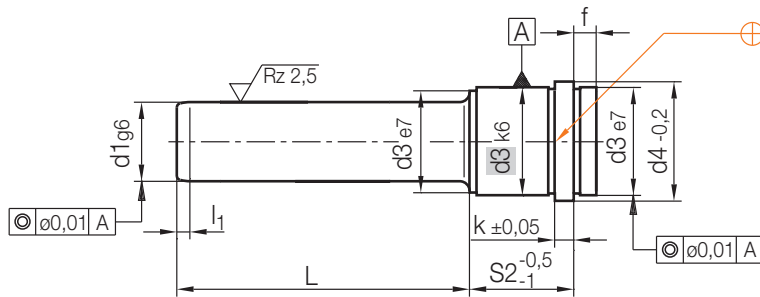
Z04/...

Führungssäule ohne Schmiernut
 Locating guide pillar without oil groove
 Colonne de guidage sans rainure de graissage

Mat.: ≈ 1.0401/690 + 70 HV 30
 ≈ DIN 16761-A



1

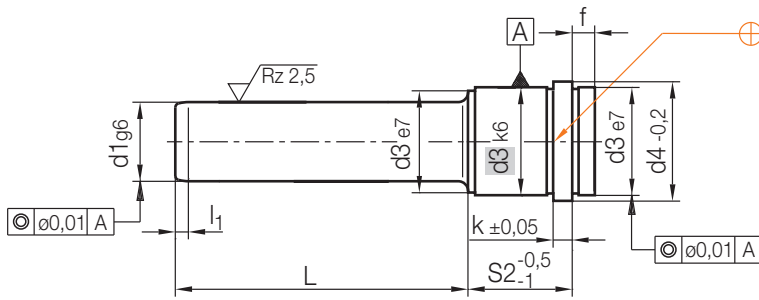


						∅				∅			
l_1	f	k	d_3	d_4	S_2	d_1	L	Nr./No.		d_1	Nr./No.		
4	3	3	14	16	22	9	25	Z04/ 22x 9x 25	10	Z04/ 22x10x 25			
							35	35		Z04/ 22x10x 35			
							27	Z04/ 27x 9x 30		Z04/ 27x10x 30			
					36	50	50	Z04/ 27x10x 50					
						25	Z04/ 36x 9x 25	Z04/ 36x10x 25					
						45	45	Z04/ 36x10x 45					
7	9	6	20	25	22	14	30	Z04/ 22x14x 30	15	Z04/ 22x15x 30			
							50	50		Z04/ 22x15x 50			
							70	70		Z04/ 22x15x 70			
							90	90		Z04/ 22x15x 90			
							27	30		Z04/ 27x14x 30	Z04/ 27x15x 30		
							45	45		Z04/ 27x15x 45			
					36	65	65	Z04/ 27x15x 65					
						85	85	Z04/ 27x15x 85					
						35	Z04/ 36x14x 35	Z04/ 36x15x 35					
						55	55	Z04/ 36x15x 55					
						75	75	Z04/ 36x15x 75					
						95	95	Z04/ 36x15x 95					
					46	35	Z04/ 46x14x 35	Z04/ 46x15x 35					
						45	45	Z04/ 46x15x 45					
						65	65	Z04/ 46x15x 65					
						85	85	Z04/ 46x15x 85					
						56	35	Z04/ 56x14x 35	Z04/ 56x15x 35				
						55	55	Z04/ 56x15x 55					
66	75	75	Z04/ 56x15x 75										
	55	Z04/ 66x14x 55	Z04/ 66x15x 55										
	65	65	Z04/ 66x15x 65										
	76	55	Z04/ 76x14x 55	Z04/ 76x15x 55									

Z04/...

Führungssäule ohne Schmiernut
 Locating guide pillar without oil groove
 Colonne de guidage sans rainure de graissage

Mat.: ≈ 1.0401/690 + 70 HV 30
 ≈ DIN 16761-A



							∅			∅			
l ₁	f	k	d ₃	d ₄	S ₂	d ₁	L	Nr./No.	d ₁	Nr./No.			
7	9	6	26	31	27	18	35	Z04/ 27x18x 35	20	Z04/ 27x20x 35			
							45	45		45			
							65	65		65			
							85	85		85			
							105	105		105			
							36	35		Z04/ 36x18x 35	Z04/ 36x20x 35		
								55		55	55		
								75		75	75		
								95		95	95		
								115		115	115		
								135		135	135		
							46	35		Z04/ 46x18x 35	Z04/ 46x20x 35		
					45	45		45					
					65	65		65					
					85	85		85					
					135	135		135					
					56	35		Z04/ 56x18x 35	Z04/ 56x20x 35				
						55	55	55					
						75	75	75					
						95	95	95					
					66	55	Z04/ 66x18x 55	Z04/ 66x20x 55					
						75	75	75					
						95	95	95					
						95	95	95					
76	55	Z04/ 76x18x 55	Z04/ 76x20x 55										
	75	75	75										
	95	95	95										
86	55	Z04/ 86x18x 55	Z04/ 86x20x 55										
	75	75	75										
	95	95	95										

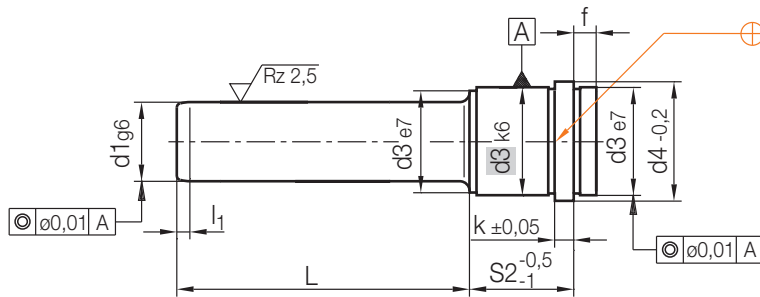
Z04/...

Führungssäule ohne Schmiernut
 Locating guide pillar without oil groove
 Colonne de guidage sans rainure de graissage

Mat.: ≈ 1.0401/690 + 70 HV 30
 ≈ DIN 16761-A



1

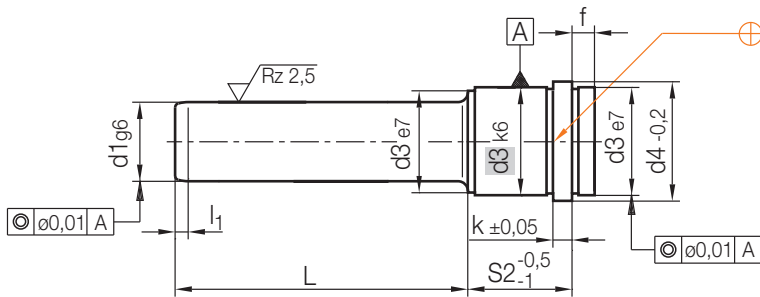


						∅				∅			
l_1	f	k	d_3	d_4	S_2	d_1	L	Nr./No.	d_1	Nr./No.			
7	9	6	30	35	27	22	35	Z04/ 27x22x 35	24	Z04/ 27x24x 35			
							45	45					
							65	65					
							85	85					
							105	105					
							125	125					
							165	165					
							205	205					
							36	35		Z04/ 36x22x 35	Z04/ 36x24x 35		
								55		55	55		
								75		75	75		
								95		95	95		
					115	115		115					
					135	135		135					
					165	165		165					
					205	205		205					
					46	35		Z04/ 46x22x 35	Z04/ 46x24x 35				
						45		45	45				
						65		65	65				
						85		85	85				
						105	105	105					
						125	125	125					
						165	165	165					
						56	35	Z04/ 56x22x 35	Z04/ 56x24x 35				
55	55	55											
75	75	75											
95	95	95											
115	115	115											
165	165	165											
205	205	205											

Z04/...

Führungssäule ohne Schmiernut
 Locating guide pillar without oil groove
 Colonne de guidage sans rainure de graissage

Mat.: ≈ 1.0401/690 + 70 HV 30
 ≈ DIN 16761-A



l_1	f	k	d_3	d_4	S_2	d_1	L	Nr./No.	d_1	Nr./No.	
7	9	6	30	35	66	22	35	Z04/ 66x22x 35	24	Z04/ 66x24x 35	
							55	55		55	
							75	75		75	
							95	95		95	
							155	155		155	
							76	55		Z04/ 76x22x 55	Z04/ 76x24x 55
								75		75	75
								95		95	95
								115		115	115
								145		145	145
								86		55	Z04/ 86x22x 55
							75			75	75
					95	95	95				
					135	135	135				
					96	55	Z04/ 96x22x 55		Z04/ 96x24x 55		
						75	75		75		
						95	95	95			
						125	125	125			
						116	75	Z04/116x22x 75	Z04/116x24x 75		
							115	115	115		
					155		155	155			
					156		155	Z04/156x22x 155	Z04/156x24x 155		

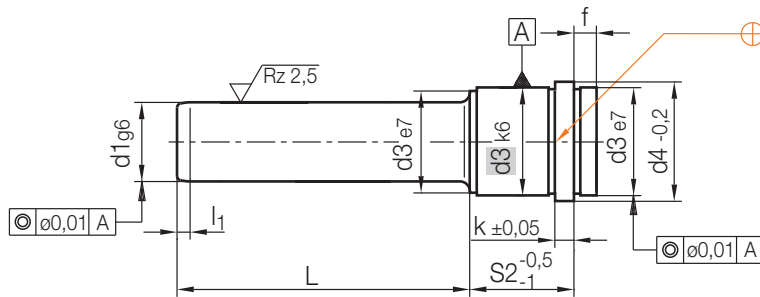
Z04/...

Führungssäule ohne Schmiernut
 Locating guide pillar without oil groove
 Colonne de guidage sans rainure de graissage

Mat.: ≈ 1.0401/690 + 70 HV 30
 ≈ DIN 16761-A



1

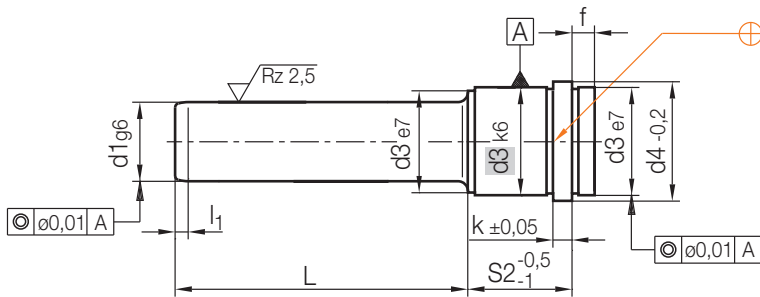


l ₁	f	k	d ₃	d ₄	S ₂	∅			Nr./No.	∅	
						d ₁	L	Nr./No.		d ₁	Nr./No.
7	9	6	42	47	36	30	55	Z04/ 36x30x 55	32	Z04/ 36x32x 55	
							75	75		Z04/ 36x32x 75	
							155	155		Z04/ 36x32x 155	
							245	245		Z04/ 36x32x 245	
							46	65		Z04/ 46x30x 65	Z04/ 46x32x 65
								85		85	Z04/ 46x32x 85
						105		105	Z04/ 46x32x 105		
						125		125	Z04/ 46x32x 125		
						165		165	Z04/ 46x32x 165		
						245		245	Z04/ 46x32x 245		
						56	55	Z04/ 56x30x 55	Z04/ 56x32x 55		
							75	75	Z04/ 56x32x 75		
					95		95	Z04/ 56x32x 95			
					135		135	Z04/ 56x32x 135			
					175		175	Z04/ 56x32x 175			
					245		245	Z04/ 56x32x 245			
					66	55	Z04/ 66x30x 55	Z04/ 66x32x 55			
						75	75	Z04/ 66x32x 75			
						95	95	Z04/ 66x32x 95			
						115	115	Z04/ 66x32x 115			
						175	175	Z04/ 66x32x 175			
						295	295	Z04/ 66x32x 295			
					76	55	Z04/ 76x30x 55	Z04/ 76x32x 55			
						75	75	Z04/ 76x32x 75			
95	95	Z04/ 76x32x 95									
115	115	Z04/ 76x32x 115									
155	155	Z04/ 76x32x 155									
225	225	Z04/ 76x32x 225									

Z04/...

Führungssäule ohne Schmiernut
 Locating guide pillar without oil groove
 Colonne de guidage sans rainure de graissage

Mat.: ≈ 1.0401/690 + 70 HV 30
 ≈ DIN 16761-A



							∅				∅															
l_1	f	k	d_3	d_4	S_2	d_1	L	Nr./No.			d_1	Nr./No.														
7	9	6	42	47	86	30	75	Z04/ 86x30x 75	32	Z04/ 86x32x 75	95	95	Z04/ 86x32x 95	115	115	Z04/ 86x32x 115										
							155	Z04/ 86x32x 155		155		Z04/ 86x32x 155														
							225	Z04/ 86x32x 225		225		Z04/ 86x32x 225														
							96	75		Z04/ 96x30x 75		96	Z04/ 96x32x 75		95	95	Z04/ 96x32x 95	115	115	Z04/ 96x32x 115	155	155	Z04/ 96x32x 155			
								205		Z04/ 96x32x 205			205			Z04/ 96x32x 205										
								116		75			Z04/116x30x 75			116	Z04/116x32x 75		115	115		Z04/116x32x 115	155	155	Z04/116x32x 155	
										155			Z04/116x32x 155				155			Z04/116x32x 155						
										136			95				Z04/136x30x 95			136		Z04/136x32x 95		115	115	Z04/136x32x 115
							155	Z04/136x32x 155				155	Z04/136x32x 155													
							156	115				Z04/156x30x 115	156		Z04/156x32x 115	155	155	Z04/156x32x 155								
					155	Z04/156x32x 155		155	Z04/156x32x 155																	
					7	12	10	54	60	76	40	115	Z04/ 76x40x 115	42	Z04/ 76x40x 115	135	135	Z04/ 76x40x 135	155	155	Z04/ 76x40x 155					
												155	Z04/ 96x40x 155		135		135	Z04/ 96x42x 135		155	155	Z04/ 96x42x 155				
												116	135				Z04/116x40x 135	135			135	Z04/116x42x 135	155	155	Z04/116x42x 155	
													195		Z04/116x42x 195		195			Z04/116x42x 195						
													136		95		Z04/136x40x 95			135	135	Z04/136x42x 95		155	155	Z04/136x42x 155
												135			Z04/136x42x 135		135	Z04/136x42x 135								
												196			155		Z04/196x40x 155	195			195	Z04/196x42x 155	195		195	Z04/196x42x 195
															195		Z04/196x42x 195				195	Z04/196x42x 195				

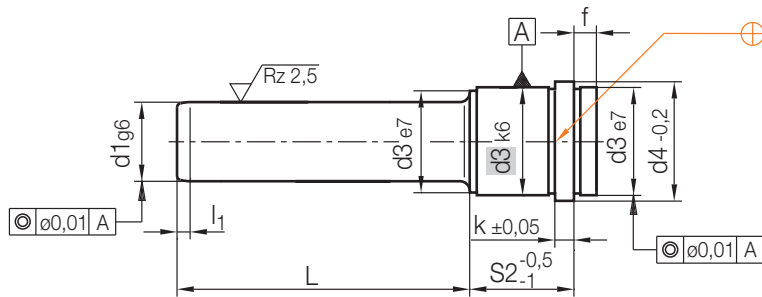
Z040/...

Führungssäule ohne Schmiernut
 Locating guide pillar without oil groove
 Colonne de guidage sans rainure de graissage

Mat.: ≈ 1.0401 / DLC beschichtet
 with DLC coating
 avec revêtement DLC



1



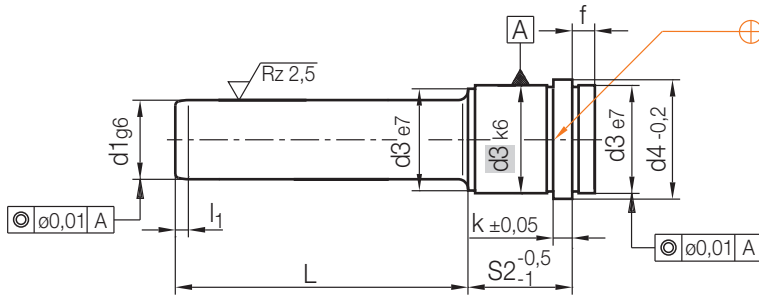
Neu / New / Nouveau

							∅			∅										
l_1	f	k	d_3	d_4	S_2	d_1	L	Nr./No.	d_1	Nr./No.										
4	3	3	14	16	22	9	25	Z040/ 22x 9x 25	10	Z040/ 22x10x 25										
							35			Z040/ 22x10x 35										
							30	Z040/ 27x 9x 30		Z040/ 27x10x 30										
							50			Z040/ 27x10x 50										
							25	Z040/ 36x 9x 25		Z040/ 36x10x 25										
							45			Z040/ 36x10x 45										
							7	9		6	20	25	22	14	30	Z040/ 22x14x 30	15	Z040/ 22x15x 30		
							50									Z040/ 22x15x 50				
							70									Z040/ 22x15x 70				
							90									Z040/ 22x15x 90				
							30								Z040/ 27x14x 30	Z040/ 27x15x 30				
							45									Z040/ 27x15x 45				
65		Z040/ 27x15x 65																		
85		Z040/ 27x15x 85																		
35	Z040/ 36x14x 35	Z040/ 36x15x 35																		
55		Z040/ 36x15x 55																		
75		Z040/ 36x15x 75																		
95		Z040/ 36x15x 95																		
35	Z040/ 46x14x 35	Z040/ 46x15x 35																		
45		Z040/ 46x15x 45																		
65		Z040/ 46x15x 65																		
85		Z040/ 46x15x 85																		
35	Z040/ 56x14x 35	Z040/ 56x15x 35																		
55		Z040/ 56x15x 55																		
75		Z040/ 56x15x 75																		
55	Z040/ 66x14x 55	Z040/ 66x15x 55																		
65		Z040/ 66x15x 65																		
55	Z040/ 76x14x 55	Z040/ 76x15x 55																		

Z040/...

Führungssäule ohne Schmiernut
 Locating guide pillar without oil groove
 Colonne de guidage sans rainure de graissage

Mat.: ≈ 1.0401 / DLC beschichtet
 with DLC coating
 avec revêtement DLC



Neu / New / Nouveau

							∅			∅			
l_1	f	k	d_3	d_4	S_2	d_1	L	Nr./No.	d_1	Nr./No.			
7	9	6	26	31	27	18	35	Z040/ 27x18x 35	20	Z040/ 27x20x 35			
							45	45					
							65	65					
							85	85					
							105	105					
							36	35		Z040/ 36x18x 35	Z040/ 36x20x 35		
								55		55			
								75		75			
								95		95			
								115		115			
								135		135			
							46	35		Z040/ 46x18x 35	Z040/ 46x20x 35		
					45	45							
					65	65							
					85	85							
					135	135							
					56	35	Z040/ 56x18x 35	Z040/ 56x20x 35					
						55	55						
						75	75						
					66	55	Z040/ 66x18x 55	Z040/ 66x20x 55					
						75	75						
						95	95						
					76	55	Z040/ 76x18x 55	Z040/ 76x20x 55					
						86	55	Z040/ 86x18x 55	Z040/ 86x20x 55				
		95	95										

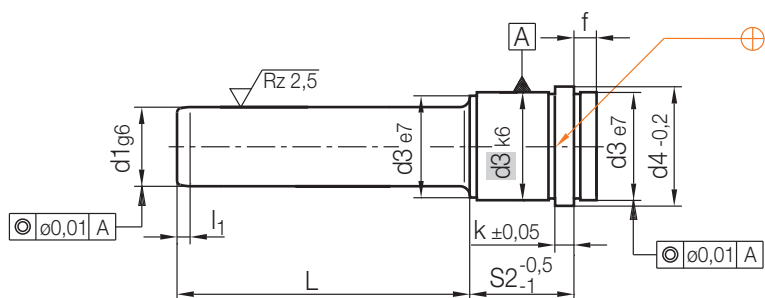
Z040/...

Führungssäule ohne Schmiernut
 Locating guide pillar without oil groove
 Colonne de guidage sans rainure de graissage

Mat.: ≈ 1.0401 / DLC beschichtet
 with DLC coating
 avec revêtement DLC



1

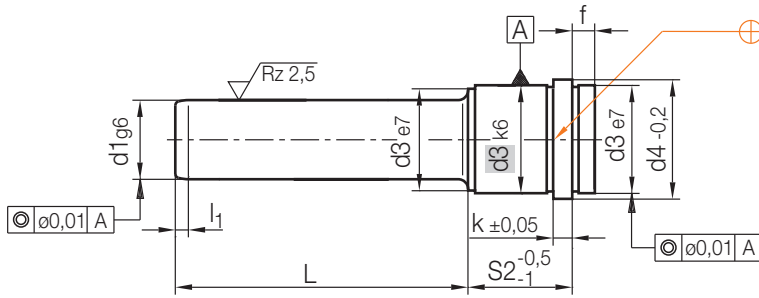


l_1	f	k	d_3	d_4	S_2	d_1	L	Nr./No.	d_1	Nr./No.	
7	9	6	30	35	27	22	35	Z040/ 27x22x 35	24	Z040/ 27x24x 35	
							45	45			
							65	65			
							85	85			
							105	105			
							125	125			
							165	165			
							205	205			
							36	35		Z040/ 36x22x 35	Z040/ 36x24x 35
								55		55	
								75		75	
								95		95	
					115	115					
					135	135					
					165	165					
					205	205					
					46	35		Z040/ 46x22x 35	Z040/ 46x24x 35		
						45		45			
						65		65			
						85		85			
						105	105				
						125	125				
						165	165				
						56	35	Z040/ 56x22x 35	Z040/ 56x24x 35		
55	55										
75	75										
95	95										
115	115										
165	165										
205	205										

Z040/...

Führungssäule ohne Schmiernut
 Locating guide pillar without oil groove
 Colonne de guidage sans rainure de graissage

Mat.: ≈ 1.0401 / DLC beschichtet
 with DLC coating
 avec revêtement DLC



							∅				∅										
l_1	f	k	d_3	d_4	S_2	d_1	L	Nr./No.			d_1	Nr./No.									
7	9	6	30	35	66	22	35	Z040/ 66x22x 35	24	Z040/ 66x24x 35	55	Z040/ 66x24x 55	75	Z040/ 66x24x 75	95	Z040/ 66x24x 95	155	Z040/ 66x24x 155			
							76	Z040/ 76x22x 55		Z040/ 76x24x 55	75	Z040/ 76x24x 75	95	Z040/ 76x24x 95	115	Z040/ 76x24x 115	145	Z040/ 76x24x 145			
							86	Z040/ 86x22x 55		Z040/ 86x24x 55	75	Z040/ 86x24x 75	95	Z040/ 86x24x 95	135	Z040/ 86x24x 135					
							96	Z040/ 96x22x 55		Z040/ 96x24x 55	75	Z040/ 96x24x 75	95	Z040/ 96x24x 95	125	Z040/ 96x24x 125					
							116	Z04/116x22x 75		Z040/116x24x 75	115	Z040/116x24x 115	155	Z040/116x24x 155							
					156	Z040/156x22x 155	Z040/156x24x 155														

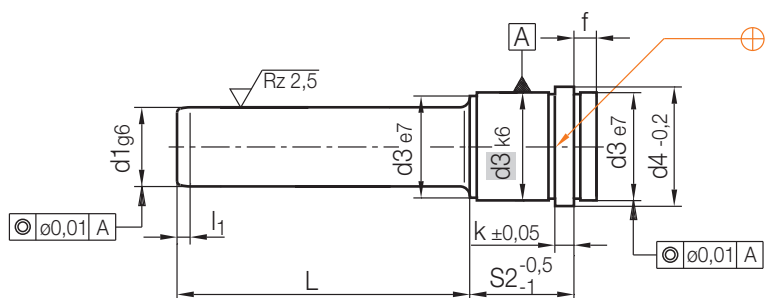
Z040/...

Führungssäule ohne Schmiernut
 Locating guide pillar without oil groove
 Colonne de guidage sans rainure de graissage

Mat.: ≈ 1.0401 / DLC beschichtet
 with DLC coating
 avec revêtement DLC



1

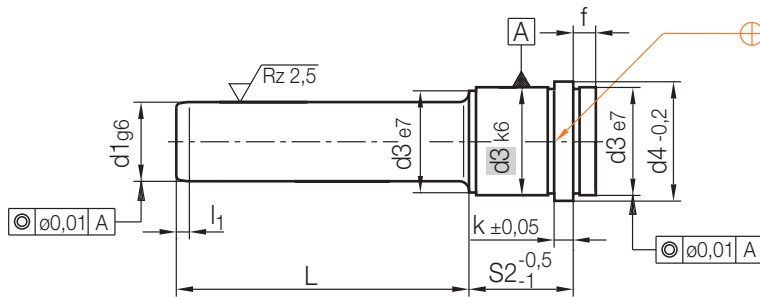


						∅				∅			
l ₁	f	k	d ₃	d ₄	S ₂	d ₁	L	Nr./No.	d ₁	Nr./No.			
7	9	6	42	47	36	30	55	Z040/ 36x30x 55	32	Z040/ 36x32x 55			
							75	75		Z040/ 36x32x 75			
							155	155		Z040/ 36x32x 155			
							245	245		Z040/ 36x32x 245			
							46	65		Z040/ 46x30x 65	Z040/ 46x32x 65		
								85		85	Z040/ 46x32x 85		
								105		105	Z040/ 46x32x 105		
								125		125	Z040/ 46x32x 125		
								165		165	Z040/ 46x32x 165		
								245		245	Z040/ 46x32x 245		
							56	55		Z040/ 56x30x 55	Z040/ 56x32x 55		
								75		75	Z040/ 56x32x 75		
					95	95		Z040/ 56x32x 95					
					135	135		Z040/ 56x32x 135					
					175	175		Z040/ 56x32x 175					
					245	245		Z040/ 56x32x 245					
					66	55	Z040/ 66x30x 55	Z040/ 66x32x 55					
						75	75	Z040/ 66x32x 75					
						95	95	Z040/ 66x32x 95					
						115	115	Z040/ 66x32x 115					
						175	175	Z040/ 66x32x 175					
						295	295	Z040/ 66x32x 295					
					76	55	Z040/ 76x30x 55	Z040/ 76x32x 55					
						75	75	Z040/ 76x32x 75					
95	95	Z040/ 76x32x 95											
115	115	Z040/ 76x32x 115											
155	155	Z040/ 76x32x 155											
225	225	Z040/ 76x32x 225											

Z040/...

Führungssäule ohne Schmiernut
 Locating guide pillar without oil groove
 Colonne de guidage sans rainure de graissage

Mat.: ≈ 1.0401 / DLC beschichtet
 with DLC coating
 avec revêtement DLC



						∅				∅			
l_1	f	k	d_3	d_4	S_2	d_1	L	Nr./No.	d_1	Nr./No.			
7	9	6	42	47	86	30	75	Z040/ 86x30x 75	32	Z040/ 86x32x 75			
							95	95		Z040/ 86x32x 95			
							115	115		Z040/ 86x32x 115			
							155	155		Z040/ 86x32x 155			
							225	225		Z040/ 86x32x 225			
					96		75	Z040/ 96x30x 75		Z040/ 96x32x 75			
							95	95		Z040/ 96x32x 95			
							115	115		Z040/ 96x32x 115			
							155	155		Z040/ 96x32x 155			
							205	205		Z040/ 96x32x 205			
			116	75	Z040/116x30x 75	Z040/116x32x 75							
				115	115	Z040/116x32x 115							
				155	155	Z040/116x32x 155							
				155	155	Z040/116x32x 155							
			136	95	Z040/136x30x 95	Z040/136x32x 95							
				115	115	Z040/136x32x 115							
				155	155	Z040/136x32x 155							
			156	115	Z040/156x30x 115	Z040/156x32x 115							
				155	155	Z040/156x32x 155							
				155	155	Z040/156x32x 155							
196	155	Z040/196x30x 155	Z040/196x32x 155										
	155	155	Z040/196x32x 155										
	155	155	Z040/196x32x 155										
7	12	10	54	60	76	40	115	Z040/ 76x40x 115	42	Z040/ 76x40x 115			
							96	155		Z040/ 96x40x 155	Z040/ 96x42x 155		
							116	135		Z040/116x40x 135	Z040/116x42x 135		
							195	195		Z040/116x42x 195			
							136	95		Z040/136x40x 95	Z040/136x42x 95		
							135	135		Z040/136x42x 135			
							196	155		Z040/196x40x 155	Z040/196x42x 155		
							195	195		Z040/196x42x 195			